

# MULTICOLOR INTERIOR LED KIT



SLINGSHOT®

P/N 2889059

## IMPORTANT

Due to the technical nature of this kit, Polaris® insists that this installation be performed by a certified Slingshot® technician.

## BEFORE YOU BEGIN

Read these instructions and check to be sure all parts and tools are accounted for. Please retain these installation instructions for future reference and parts ordering information.

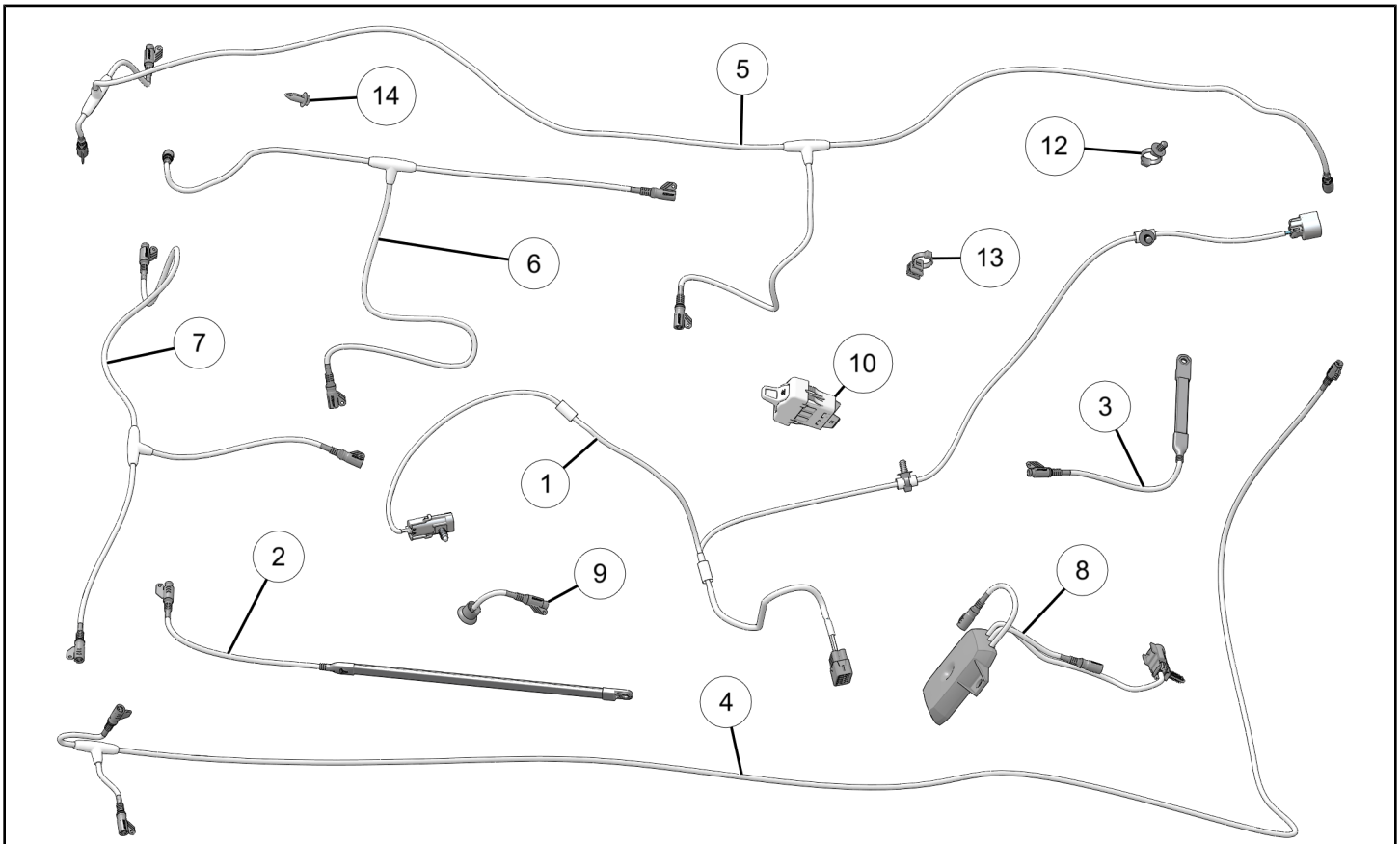
## APPLICATION

Verify accessory fitment at [www.polarisslingshot.com](http://www.polarisslingshot.com).

## REQUIRED SOLD SEPARATELY

Only parts for installation of the Multicolor Interior LED Kit are included. For complete installation, the Slingshot® LED application is required (available in Android and Apple app stores. Search “Slingshot® LED”).

## KIT CONTENTS

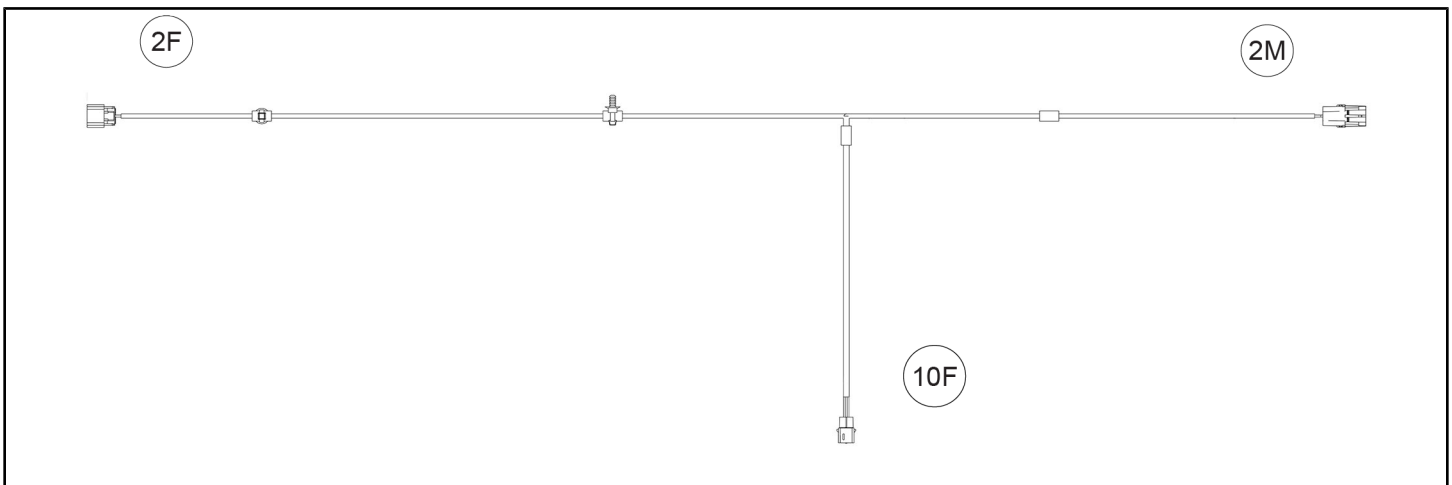


REF	QTY	PART DESCRIPTION	P/N AVAILABLE SEPARATELY
1	1	Harness – Multicolor Interior LED	2415793
2	4	LED – Interior Light, Footwell/Rocker	2415830
3	2	LED – Interior Light, Seat	2415831

REF	QTY	PART DESCRIPTION	P/N AVAILABLE SEPARATELY
4	1	Harness – Interior Light, Seat	2415832
5	1	Harness – Interior Light, Footwell	2415833
6	1	Harness– Seat, Left Hand Extension	2415834
7	1	Harness – Seat, Right Hand Extension	2415835
8	1	Controller – Bluetooth®	2415836
9	1	LED – Interior Light, Center Console	2415868
10	1	Switch – Multicolor Interior Light	4019945
11	26	Cable Tie	7080138
12	3	Routing Clip	7081496
13	2	Edge Clip	7082402
14	2	Rivet – Push Pin, 0.315 – 0.325 x 0.787	7661855

## HARNESS DETAIL

### MULTICOLOR INTERIOR LED HARNESS ①



REF	PART DESCRIPTION	CONNECTS TO
2F	Connector – Harness, Bluetooth®	Bluetooth® controller ⑧
10F	Connector – Harness, console switch	Console switch ⑩
2M	Connector – Chassis power	Vehicle chassis wiring

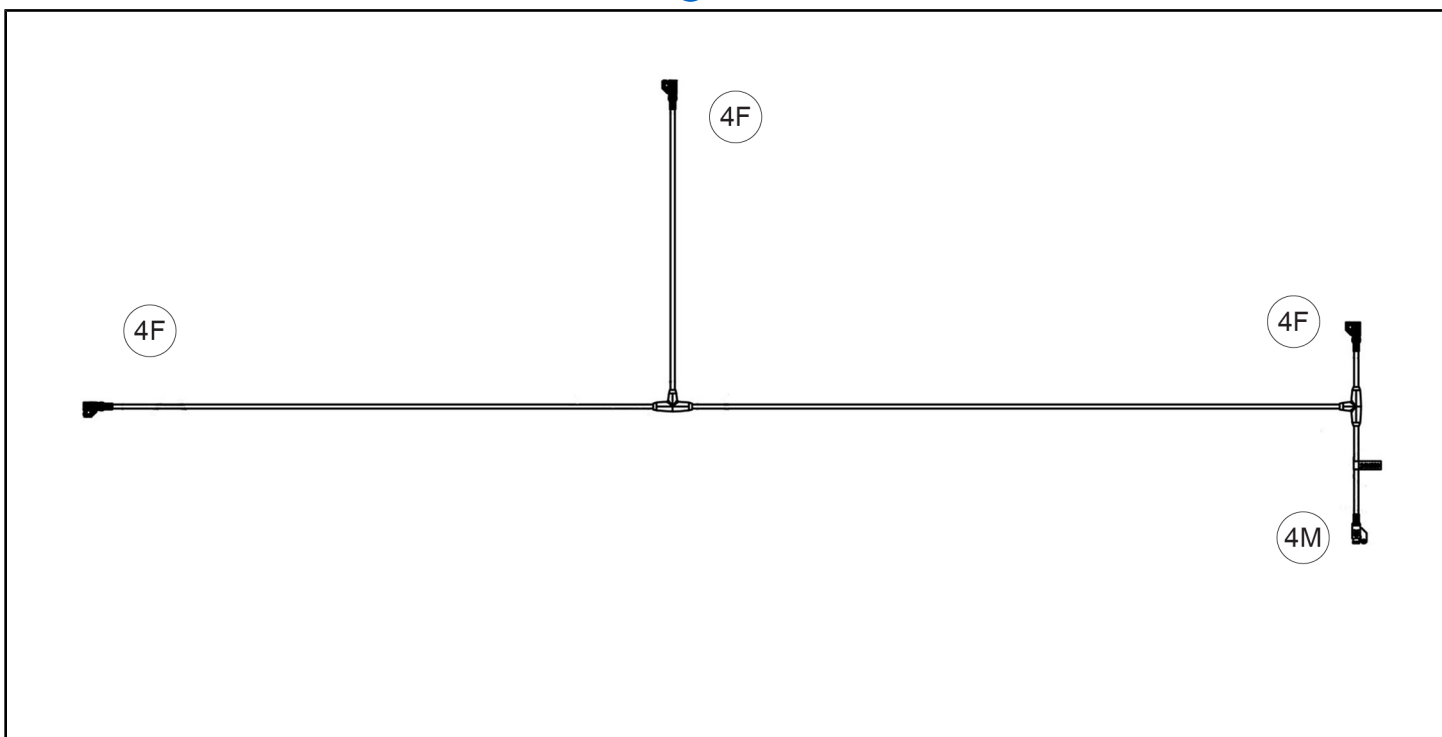
Example: 16F = 16 pin, Female / 16M = 16 pin, Male (Male terminal fits inside female terminal)

## SEAT INTERIOR LIGHT HARNESS ④



REF	PART DESCRIPTION	CONNECTS TO
4F	Connector – Harness, seat, left-hand extension (straight from tee)	Left-hand seat harness extension ⑥
4F	Connector – Harness, seat, right-hand extension (perpendicular from tee)	Right-hand seat harness extension ⑦
4M	Connector – Controller, Bluetooth®	Bluetooth® controller ⑧

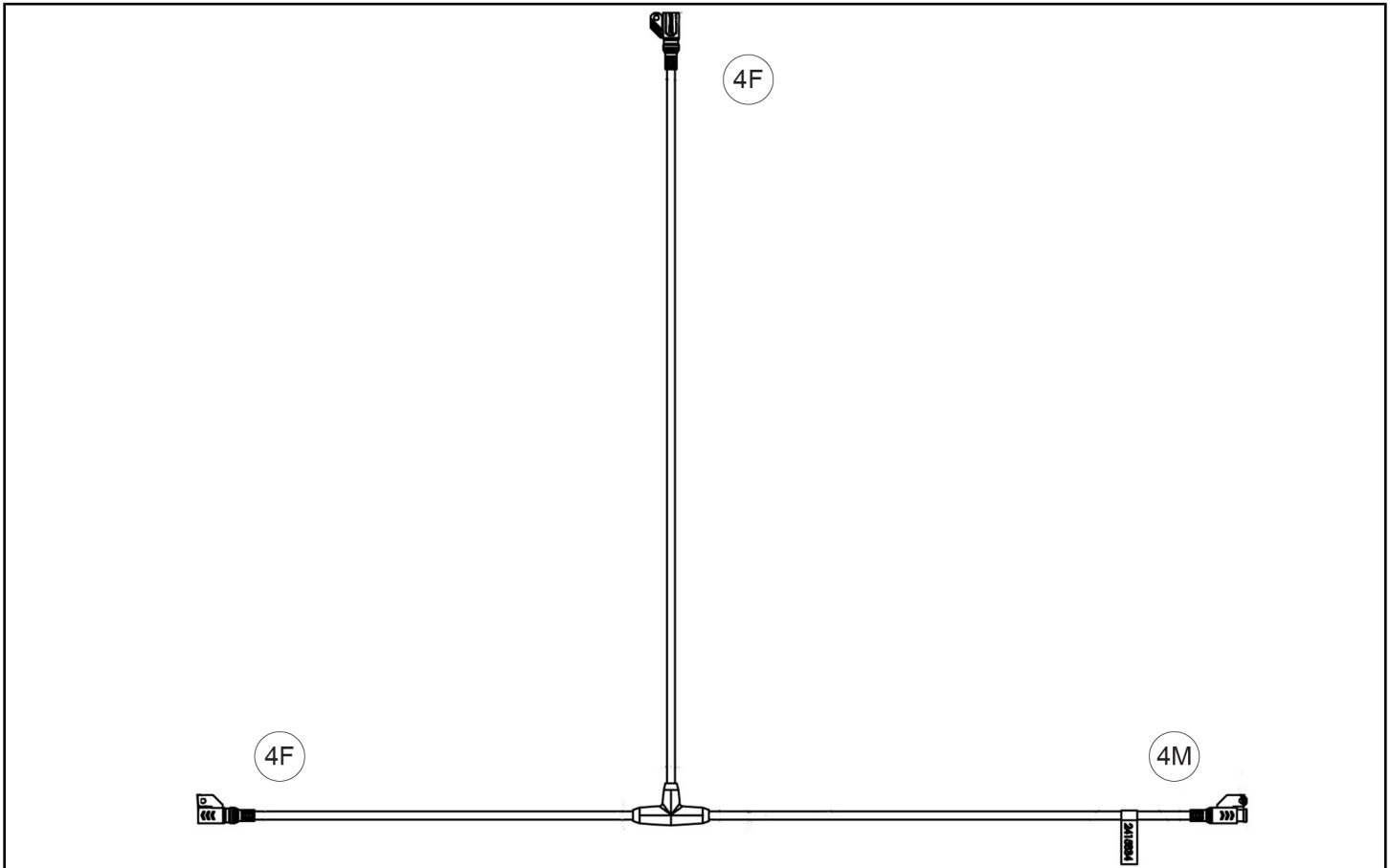
## FOOTWELL INTERIOR LIGHT HARNESS ⑤



REF	PART DESCRIPTION	CONNECTS TO
4F	Connector – Interior light, footwell (longest lead)	Footwell LED ②
4F	Connector – Interior light, center console (perpendicular from tee)	Center Console LED ⑨

REF	PART DESCRIPTION	CONNECTS TO
4F	Connector – Interior light, footwell (shortest lead)	Footwell LED ②
4M	Connector – Controller, bluetooth	Controller ⑧

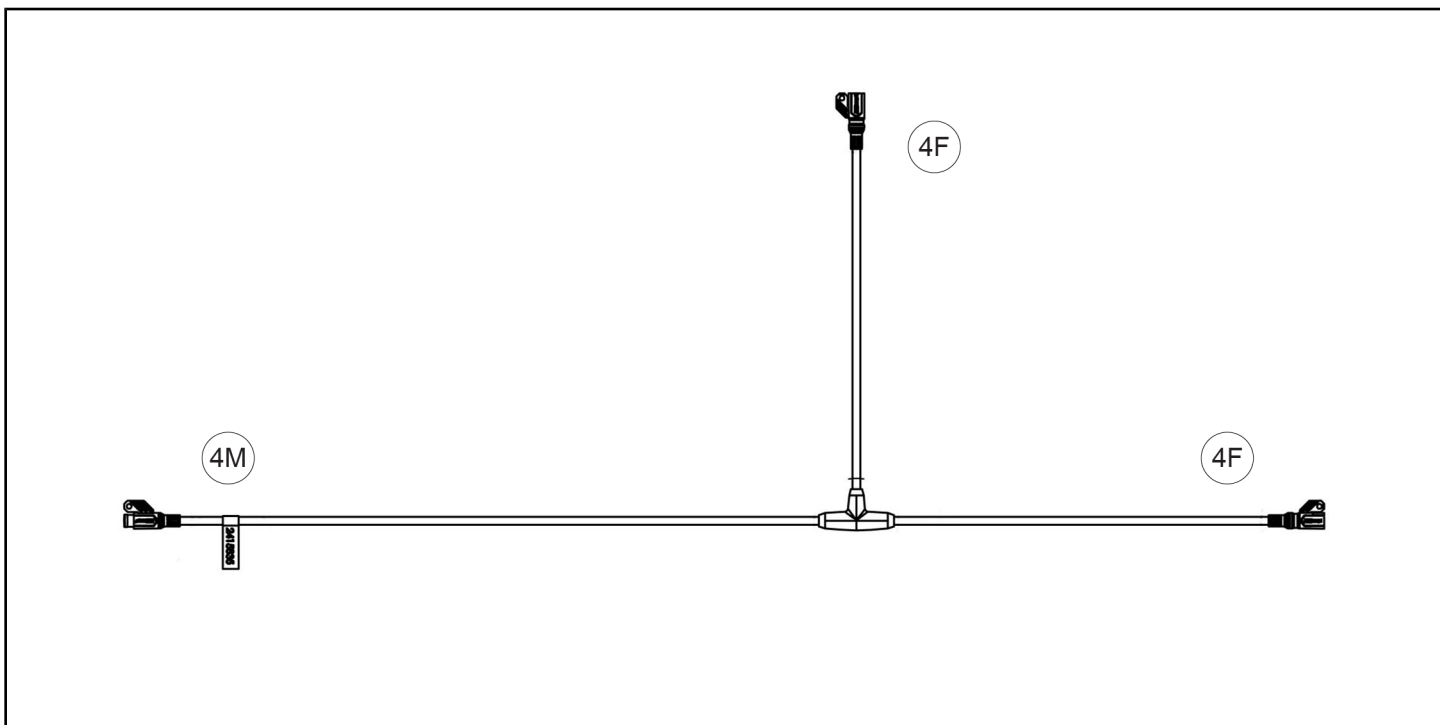
### LEFT-HAND SEAT HARNESS EXTENSION ⑥



REF	PART DESCRIPTION	CONNECTS TO
4F	Connector – Interior light, rocker	Footwell/rocker LED ②
4F	Connector – Interior light, seat (longest lead)	Seat LED ③
4M	Connector – Harness, interior light, seat	Interior seat light harness ④ , 4F connector – harness, seat, left-hand extension (straight from tee)



## RIGHT-HAND SEAT HARNESS EXTENSION ⑦



REF	PART DESCRIPTION	CONNECTS TO
4M	Connector – Harness, interior light, seat	Seat wiring harness
4F	Connector – Interior light, seat (perpendicular from tee)	Seat LED ③
4F	Connector – Interior light, rocker (straight from tee)	Footwell/rocker LED ②

### TOOLS REQUIRED

- Safety Glasses
- Drill
- Drill Bit:
  - 1/4 in (6 mm)
- Pliers, Push Pin Rivet
- Socket Set, Hex Bit, Metric
- Socket Set, SAE
- Socket Set, Torx® Bit
- Vehicle Lift/Support Equipment

### IMPORTANT

Your Multicolor Interior LED Kit is exclusively designed for your vehicle. Please read the installation instructions thoroughly before beginning. Installation is easier if the vehicle is clean and free of debris. For your safety, and to ensure a satisfactory installation, perform all installation steps correctly in the sequence shown.

### INSTALLATION INSTRUCTIONS

#### VEHICLE PREPARATION

##### GENERAL

1. Park vehicle on a flat surface.
2. Shift vehicle to NEUTRAL.
3. Press START/STOP button to turn vehicle OFF.
4. Apply parking brake.
5. Remove key fob from proximity of vehicle.

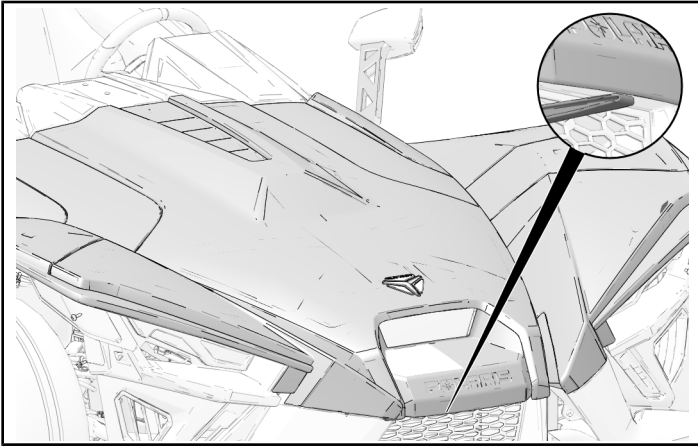
#### OPEN HOOD

##### ⚠ WARNING

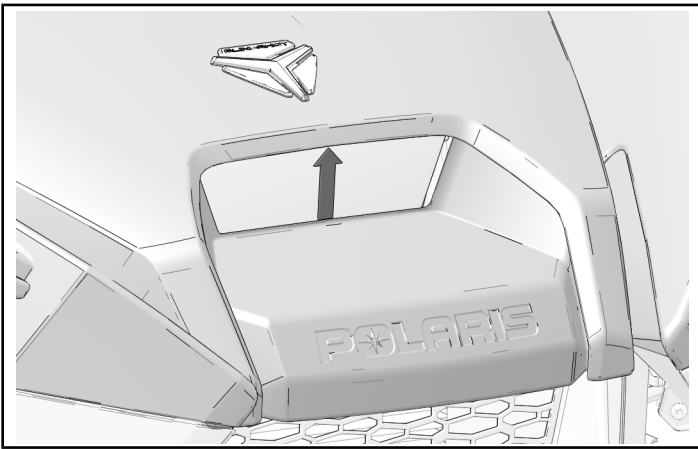
Do not grab plastic directly above the hood release lever to open the hood. This may damage the hood.

1. Make sure parking brake is applied.

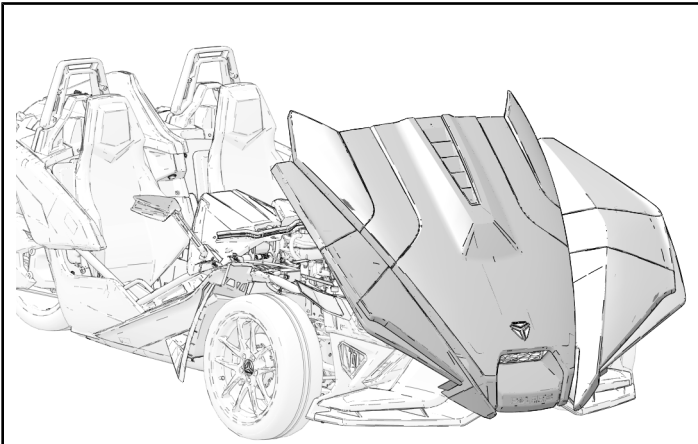
2. Pull hood release lever upward to disengage four hood latches.



3. Pull upwards on hood underside, above LED lamp, using two hands.

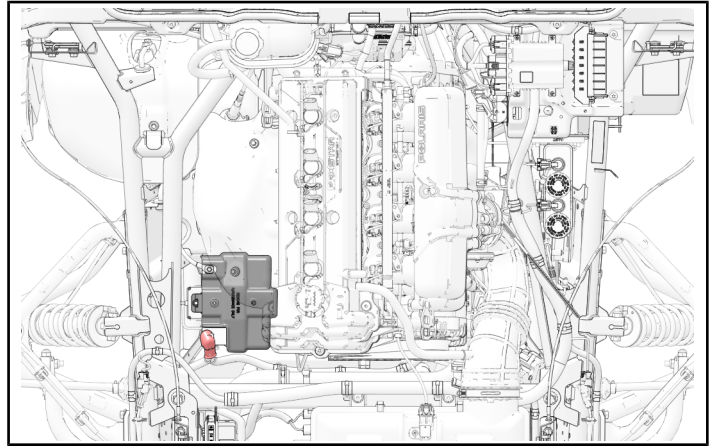


4. Pull hood upward and forward, rotating hood to a vertical position.

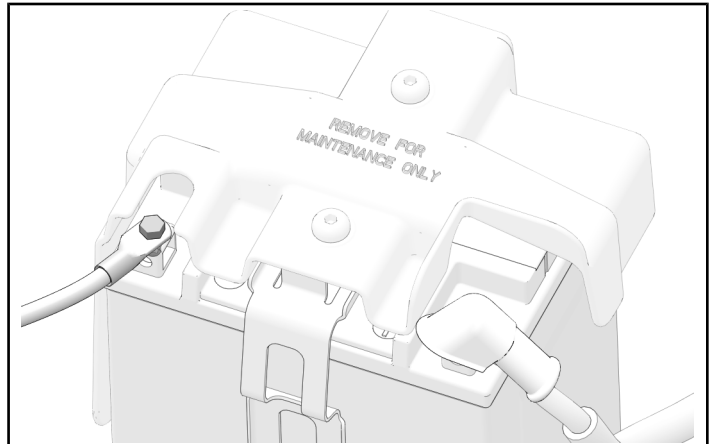


## **BATTERY DISCONNECT**

1. Identify battery location on right side of engine bay.

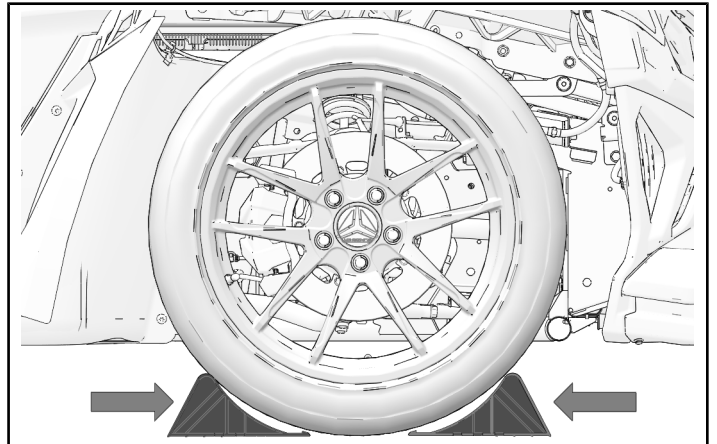


2. Remove negative (-) battery terminal bolt and disconnect negative (-) battery cable.



## **CHOCK WHEELS**

1. When lifting the rear wheel with a floor jack, always chock at least one of the front tires with a wheel chock on both the front and back side of the tire.



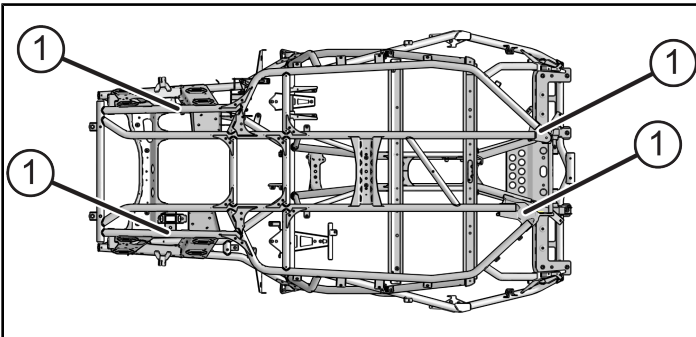
## LIFT VEHICLE

### WARNING

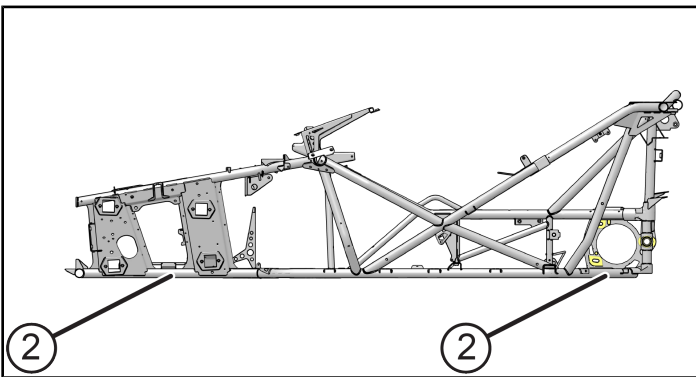
- Serious injury or death can occur if the vehicle moves or falls while elevated. When elevating is necessary, make sure the vehicle is properly elevated and stable before performing service.
- DO NOT attempt to elevate your vehicle without proper equipment. If you're not familiar with using floor jacks or lift mechanisms, see your dealer for service.

1. To elevate the Slingshot® vehicle, use automotive-quality floor jacks. Use the floor jacks on a firm, flat surface.
2. Make sure the floor jacks are positioned under the frame rails in the front where the lower control arm mounts to the frame, or in the rear where the frame rails meet.

### ① Bottom View of Lift Points



### ② Side View of Lift Points

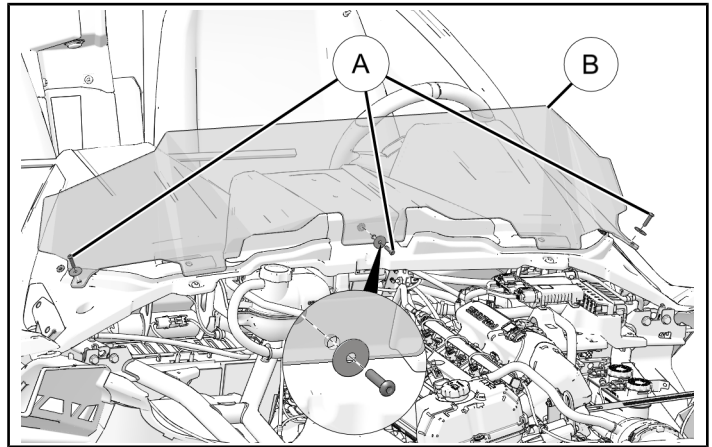


## REMOVE WINDSHIELD

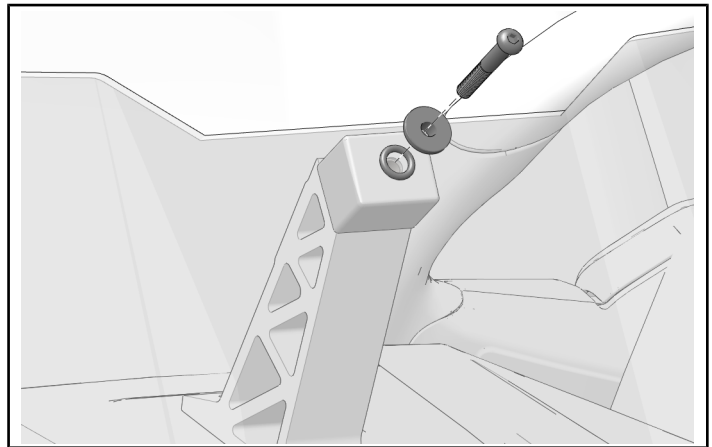
### NOTICE

Windshields vary in size and shape but all mount to the same mounting points.

1. Remove and keep three fasteners (A) from base of windshield (B).



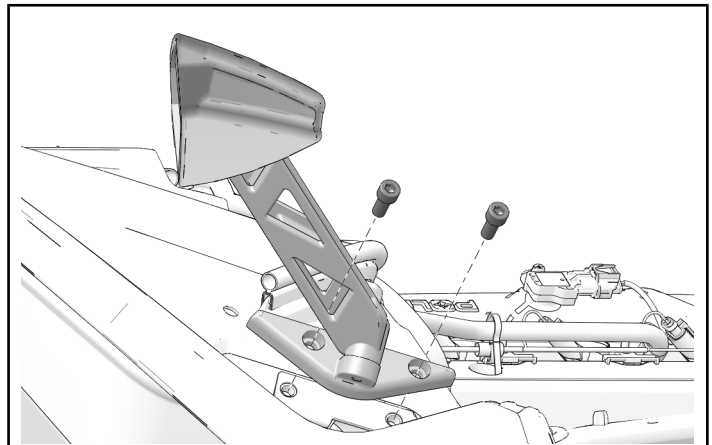
2. If equipped, remove and keep screw, washer and O-ring from center windshield mount.



3. Remove windshield and carefully set aside.

## REMOVE MIRRORS

1. Remove and keep two mirror mounting screws.



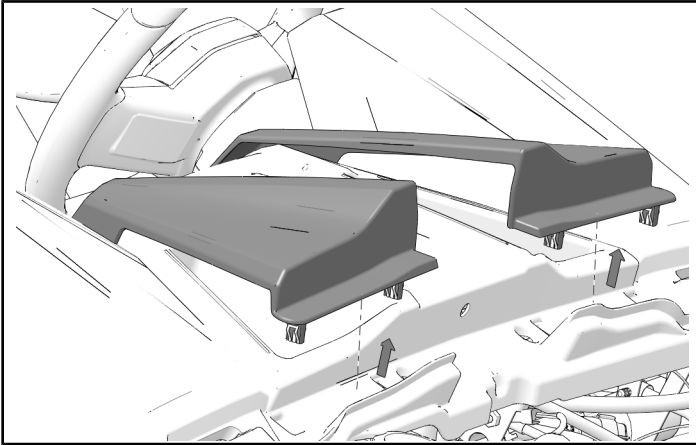
2. Remove and carefully set aside mirror assembly.
3. Repeat for opposite side mirror.



## REMOVE UPPER DASH

### REMOVE UPPER DASH PAINTED PANELS (IF EQUIPPED)

1. Remove and keep upper dash painted panels by lifting from front edges to release clips.

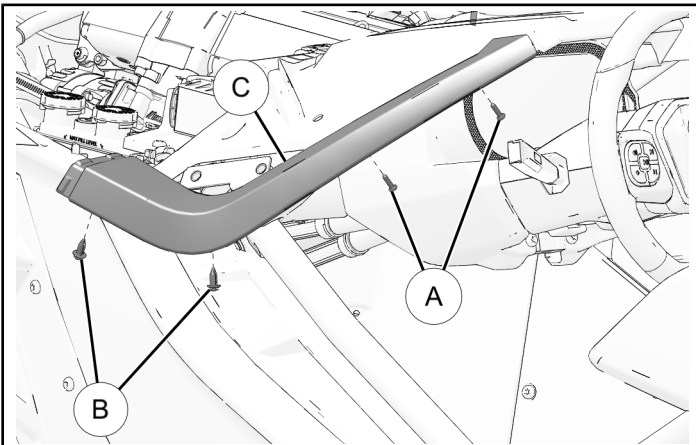


### REMOVE SIDE TRIM PANELS

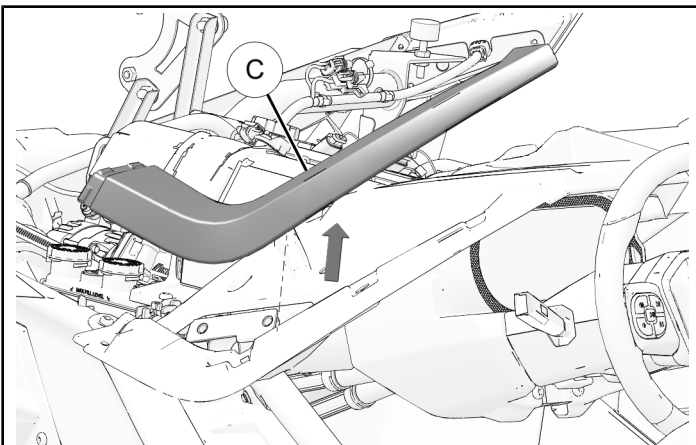
#### NOTICE

Left side shown; right side similar.

1. Remove and keep two screws (A) and two push-pin rivets (B) from side trim panel (C).

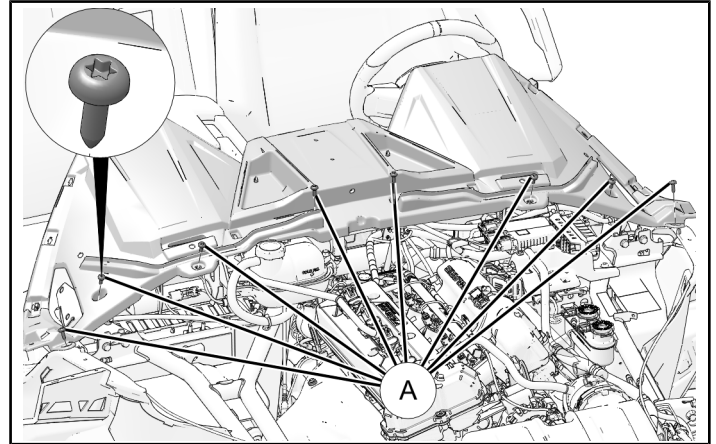


2. Remove side trim panel (C) and carefully set aside.

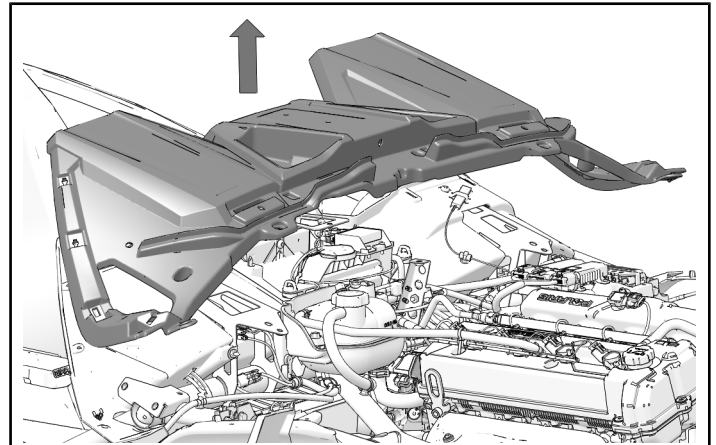


## REMOVE UPPER DASH PANEL

1. Remove and keep eight screws (A) from upper dash panel.

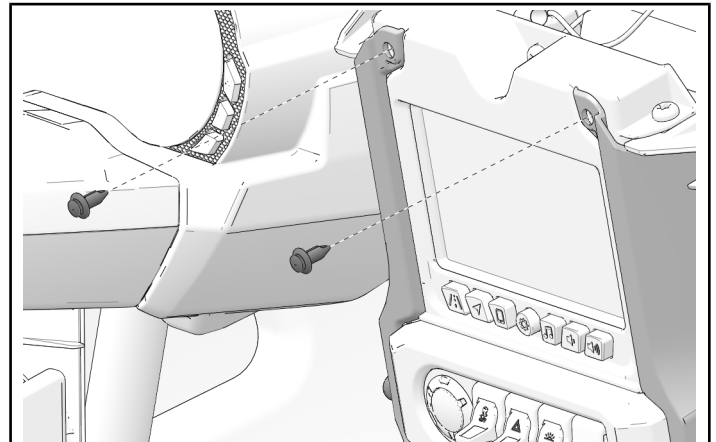


2. If equipped, disconnect dash tweeter speakers from main vehicle harness.
3. Lift front edge of upper dash panel to release clips. Lift off upper dash panel and carefully set aside.

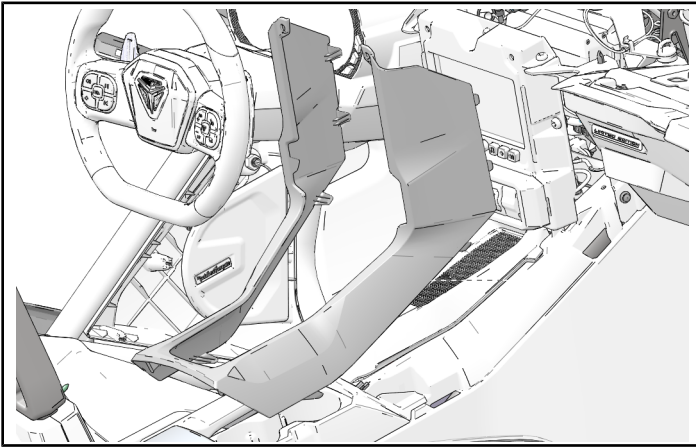


## CENTER CONSOLE AND DISPLAY REMOVAL

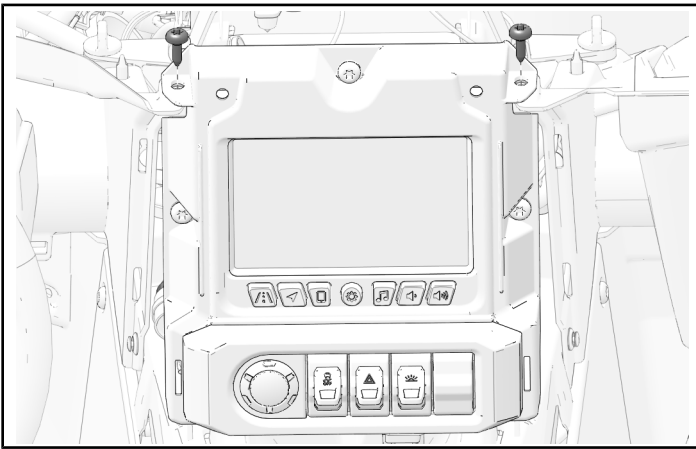
1. Remove and keep two push pins from center console trim.



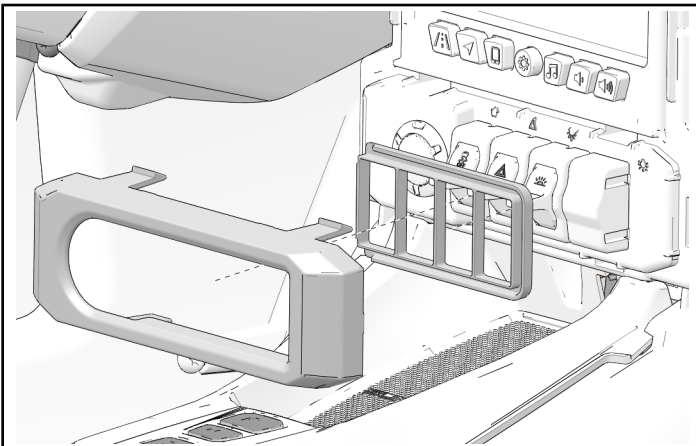
2. Remove center console trim .



3. Remove and keep two display center fasteners. Move display center away from mounting position and disconnect wiring. Remove display center.



4. Press tabs on back of switch panel to remove switch bezel. Remove switch retainer.



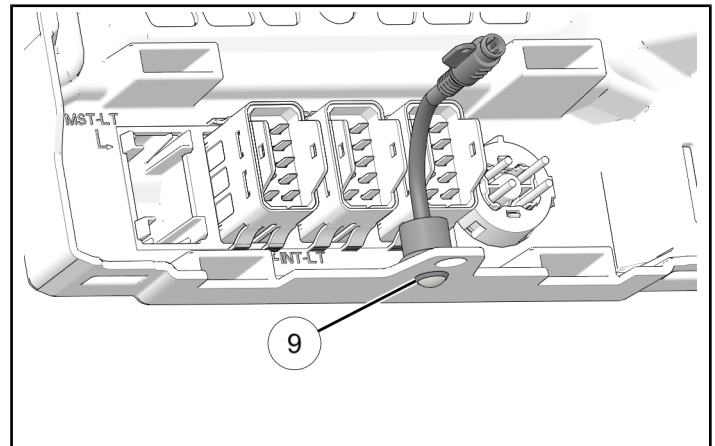
## ACCESSORY INSTALLATION

### LED AND CONTROLLER INSTALLATION

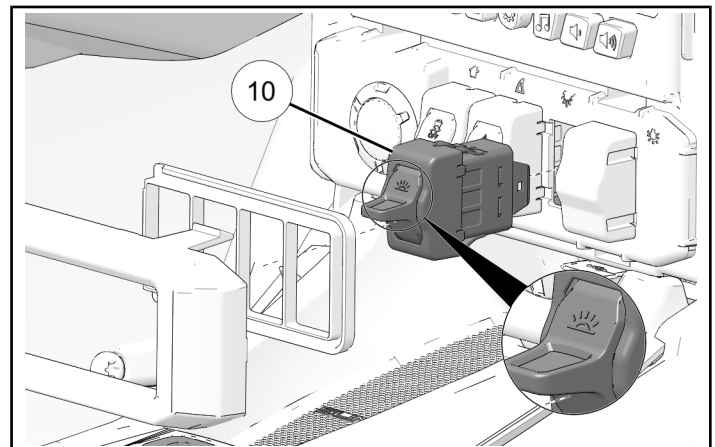
1. Put center console LED ⑨ in location behind switch panel as shown.

#### TIP

Remove LED from rubber grommet and install rubber grommet first, then install LED.



2. Remove existing switch, or switch close-off, in third position from left. Put switch ⑩ in third position from left. Make sure switch is installed with light icon on top.



## CONTROLLER MOUNTING HOLES (MODEL YEAR 2020 ONLY)

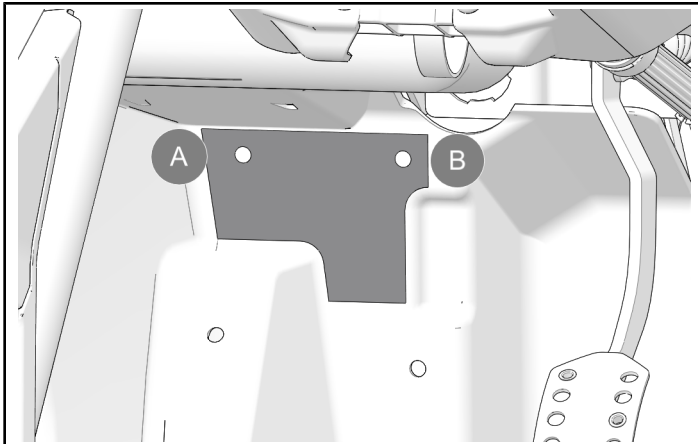
1. Put template in left-hand footwell in location shown. Drill holes Ⓐ and Ⓑ.

### MEASUREMENT

Drill Bit: 1/4 in. (6 mm)

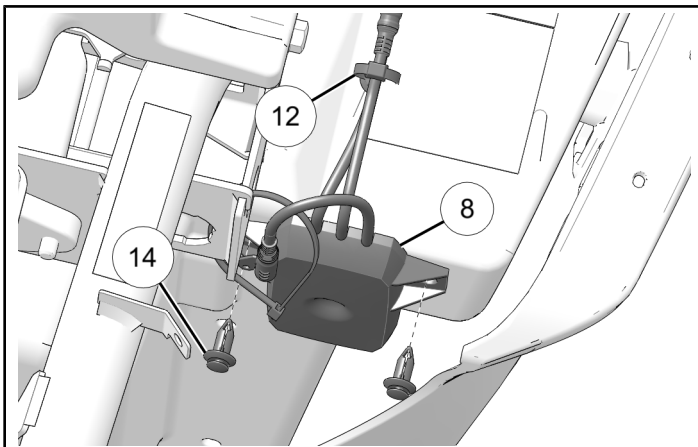
### IMPORTANT

Control tool depth. Make sure tool is clear of all other parts and components to prevent damage to vehicle.



## MODEL YEAR 2020 AND NEWER

1. Put bluetooth controller Ⓒ on outside of left-hand footwell using push pin rivets Ⓓ. Attach wiring using routing clip Ⓔ as shown.



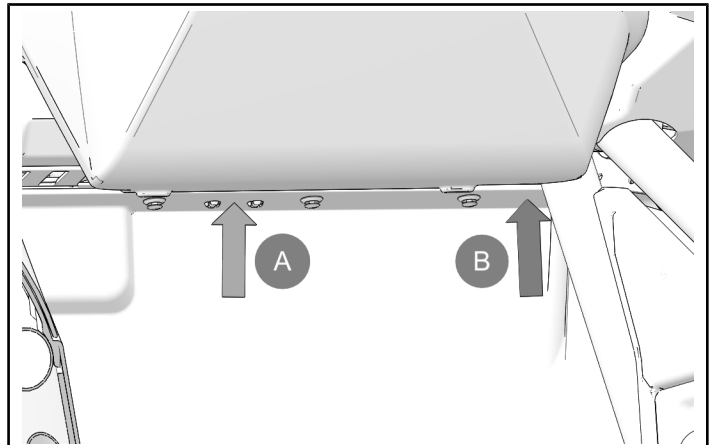
2. Locate the two existing LEDs or blank mounting holes in right-hand footwell Ⓐ. Drill a hole in location Ⓐ. Measure 8 in (20 cm) to toward the outside of the vehicle and drill a hole in location Ⓑ.

### MEASUREMENT

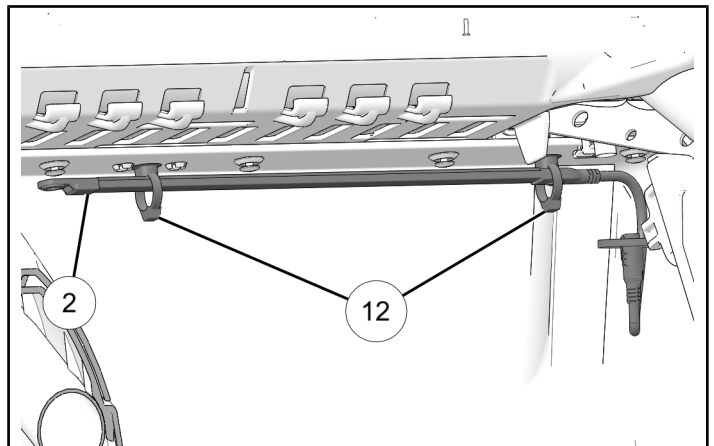
Drill bit: 1/4 in (6 mm)

### IMPORTANT

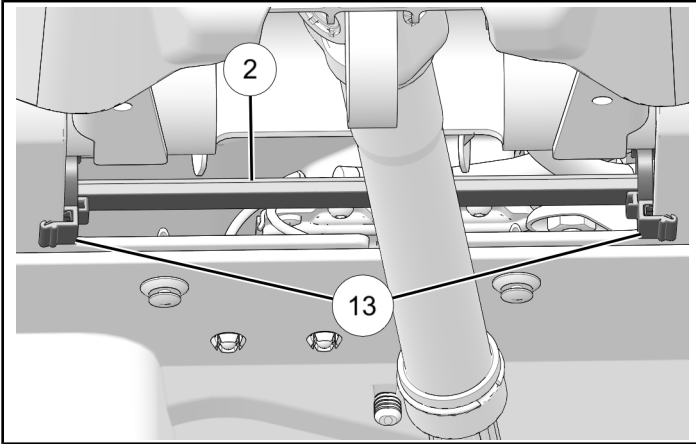
Control tool depth. Make sure tool is clear of all other parts and components to prevent damage to vehicle.



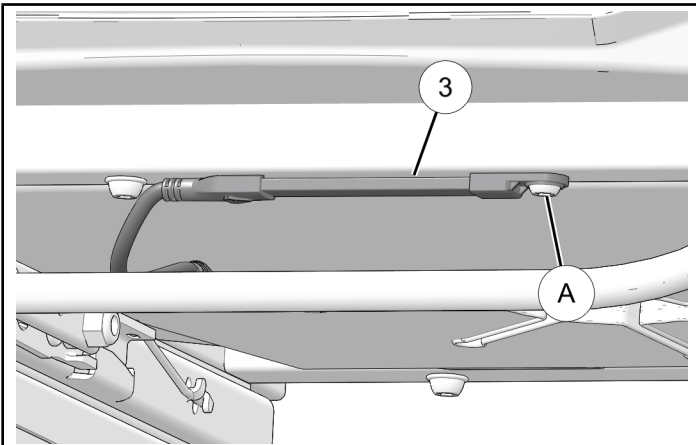
3. Remove adhesive backing paper from LED strip. Insert two routing clips Ⓔ into drilled holes. Put LED strip Ⓓ in footwell. Attach with routing clip Ⓔ.



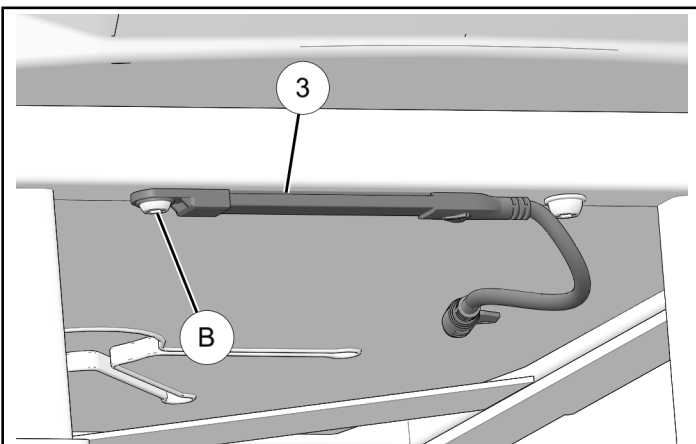
- Put edge clips ⑬ in opening above steering column so LED mounts above visor closeout. Put LED strip ② with lights facing down and attach using edge clips ⑬.



- Remove and keep front inner right-hand seat frame screw ①. Remove adhesive backing paper from LED strip. Put LED strip ③ on seat frame. Attach with retained seat frame screw.



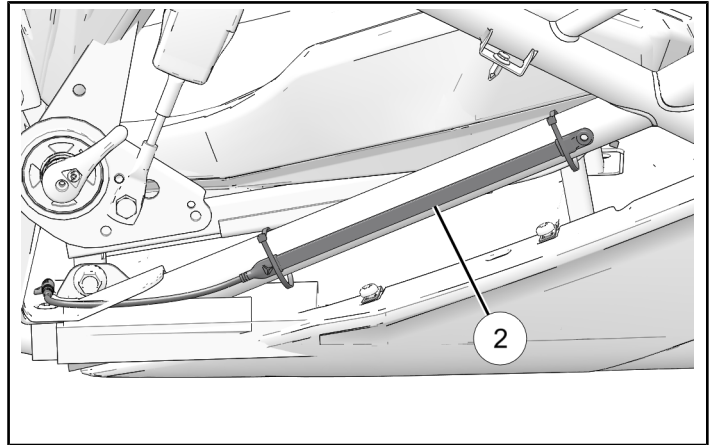
- Remove and keep front inner left-hand seat frame screw ②. Remove adhesive backing paper from LED strip. Put LED strip ③ on seat frame. Attach with retained seat frame screw.



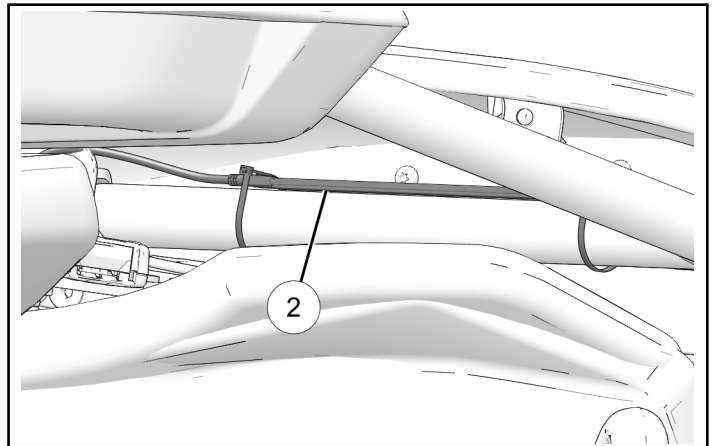
- Remove adhesive backing paper from LED strip. Mount right-hand rocker panel LED strip ② to frame tube using cable ties.

**NOTICE**

Outer body panel removed for visibility.



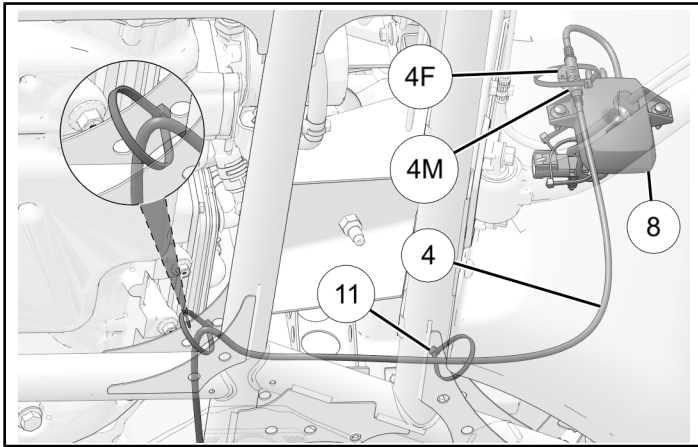
- Remove adhesive backing paper from LED strip. Attach left-hand rocker panel LED strip ② to frame tube with cable ties.



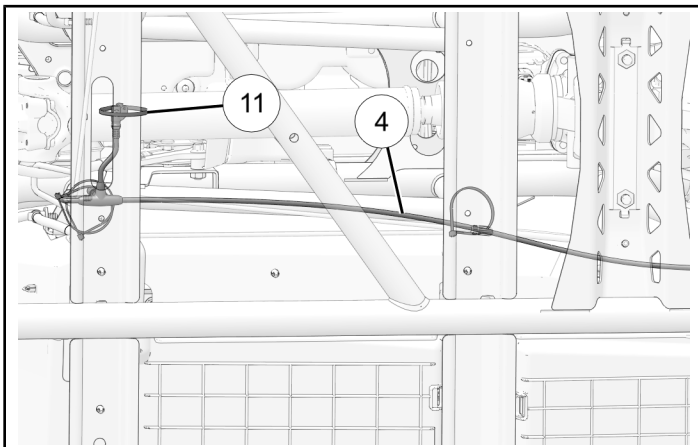


## INSTALL SEAT INTERIOR LIGHT HARNESS

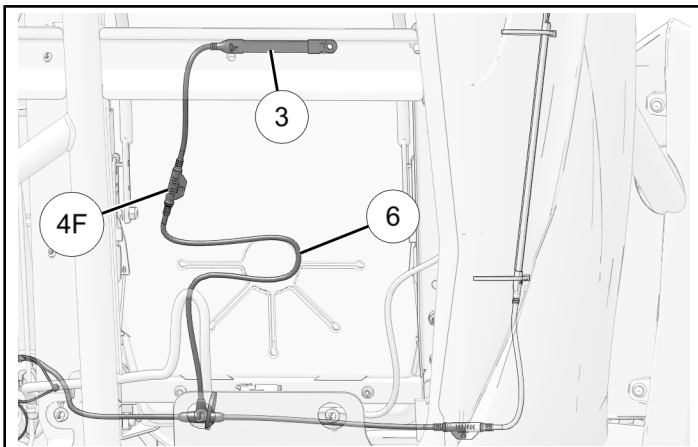
1. Plug seat interior light harness ④ 4M connector into bluetooth controller ⑧ connector 4F. Put wiring harness down and to left-hand frame rail. Attach with cable ties ⑪.



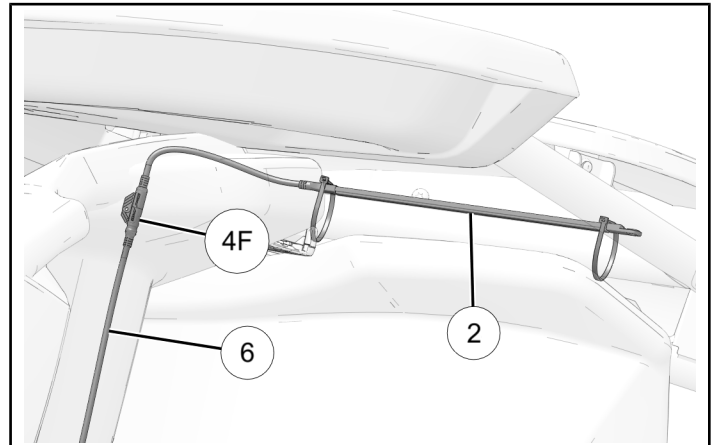
2. Put wiring harness ④ along frame rail as shown. Make sure wiring harness is routed above frame components. Attach with cable ties ⑪.



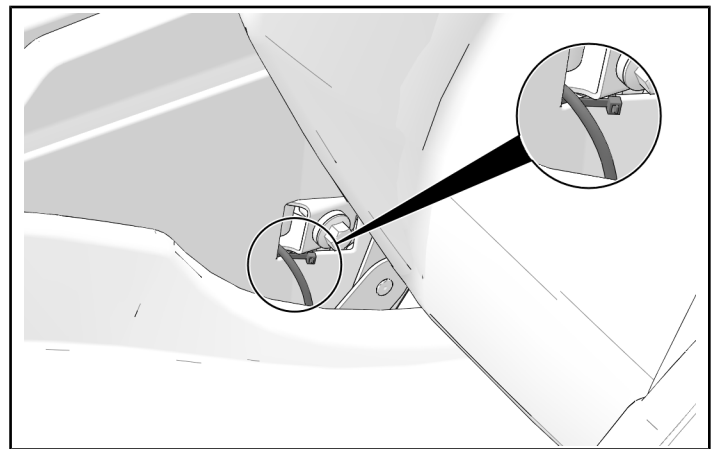
3. Connect left-hand seat harness extension ⑥ connector 4F to left-hand seat LED ③ .



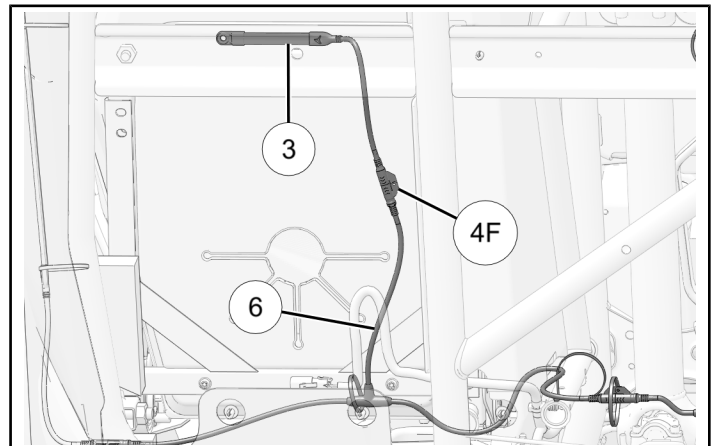
4. Connect left-hand seat harness extension ⑥ 4F to left-hand rocker LED ②.



5. Put left-hand seat harness extension through seat belt opening.

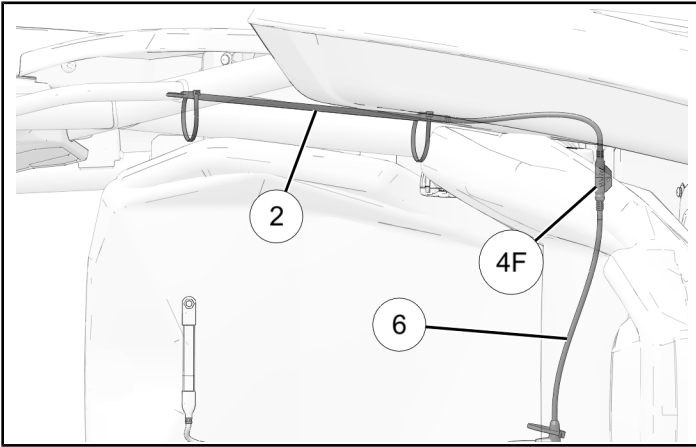


6. Connect right-hand seat harness extension ⑦ connector 4F to right-hand seat LED ③ .

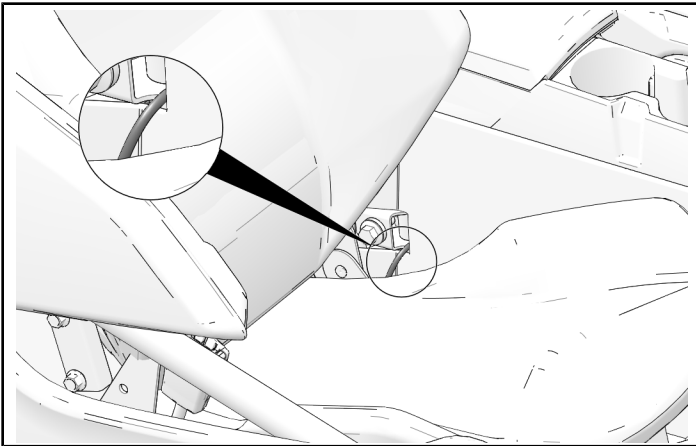




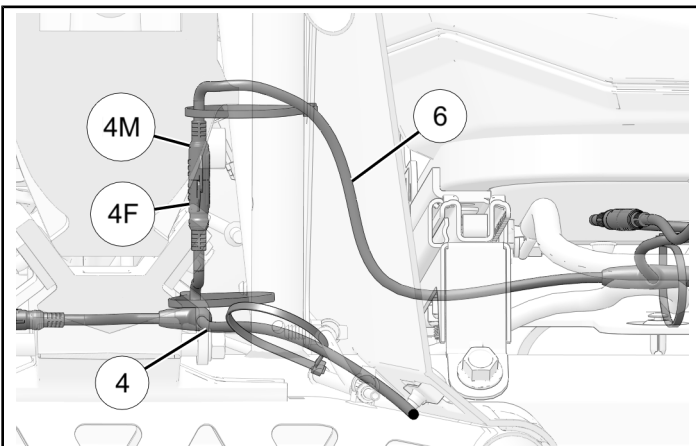
7. Connect right-hand seat harness extension ⑦ 4F to right-hand rocker LED ②.



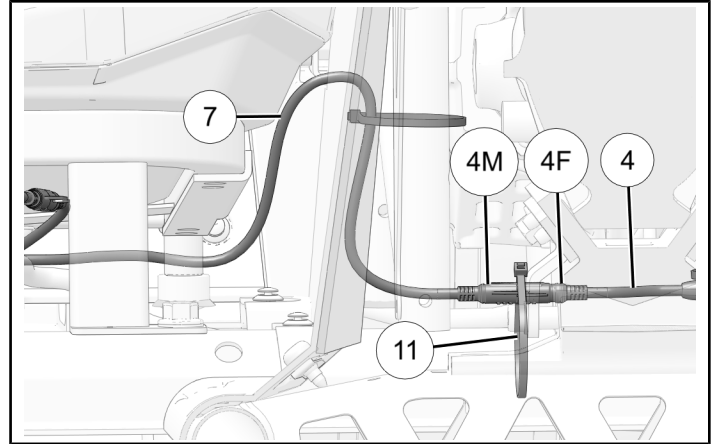
8. Put right-hand seat harness extension through seat belt opening.



9. Connect left-hand seat harness extension ⑥ connector 4M to seat interior light harness ④ connector 4F.

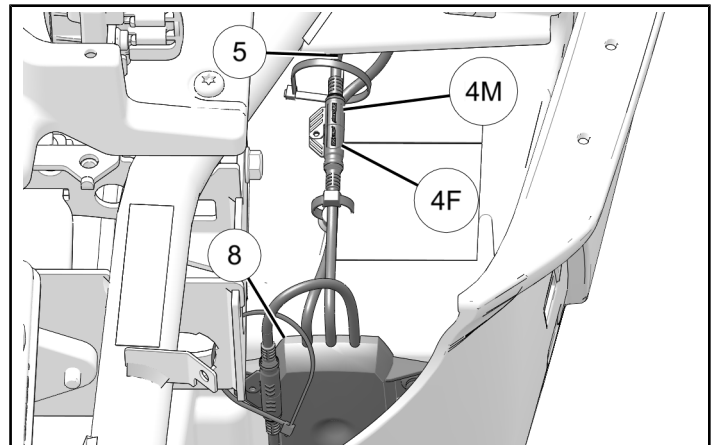


10. Connect right-hand seat harness extension ⑦ connector 4M to seat interior light harness ④ connector 4F. Attach with cable ties ⑪.

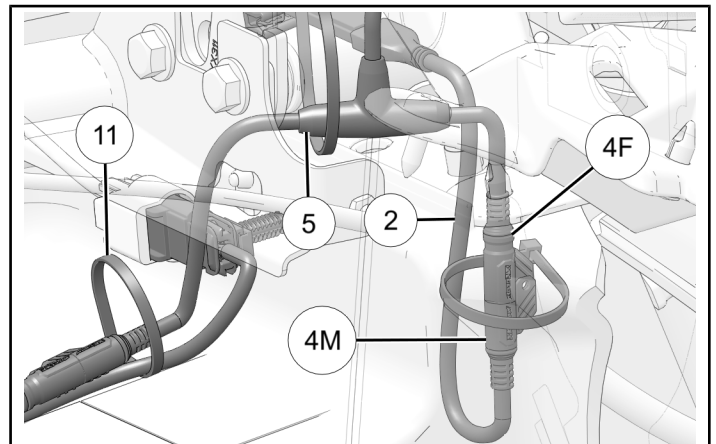


### INSTALL FOOTWELL INTERIOR LIGHT HARNESS

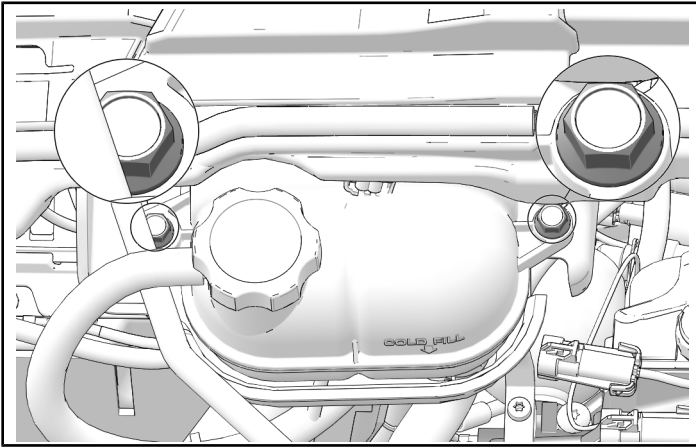
1. Connect footwell interior light harness ⑤ 4M (connector closest to the part number tag) to bluetooth controller ⑧ 4F.



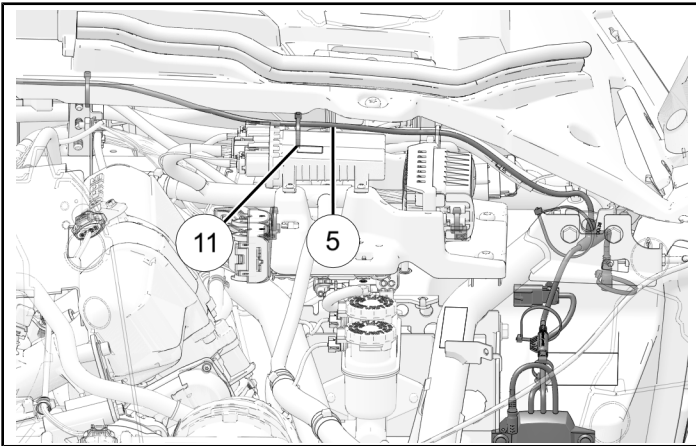
2. Put footwell interior light harness plug through firewall along existing wires. Connect harness ⑤ 4F to footwell LED ② 4M. Attach with cable tie ⑪.



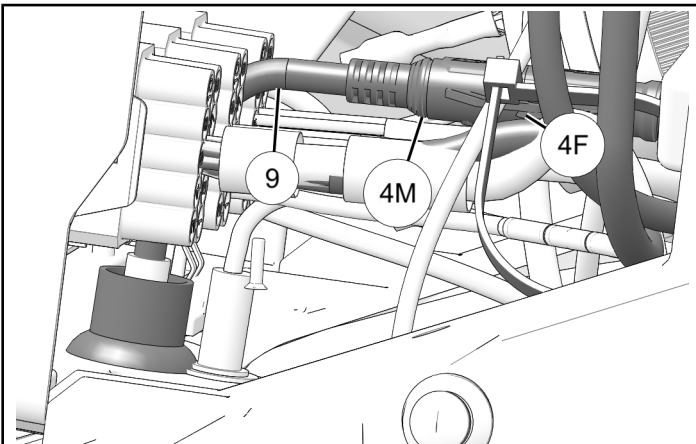
- Remove two coolant reservoir bolts and pivot reservoir out of the way.



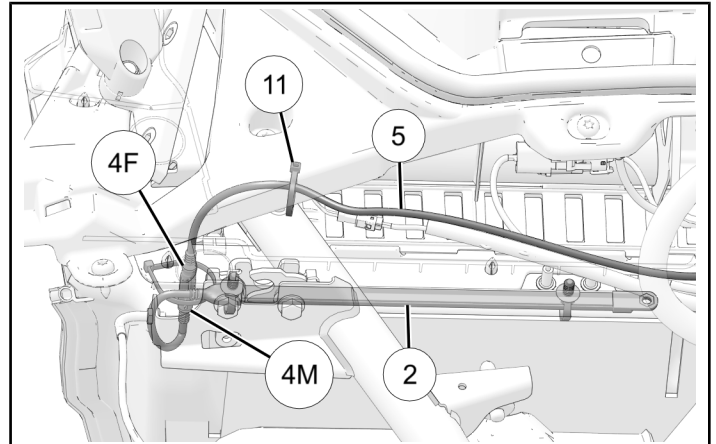
- Put footwell interior light harness ⑤ along existing wiring. Attach with cable ties ⑪.



- Put console LED wiring through firewall along existing wiring. Connect footwell interior light harness 4F to console LED ⑨ 4M.

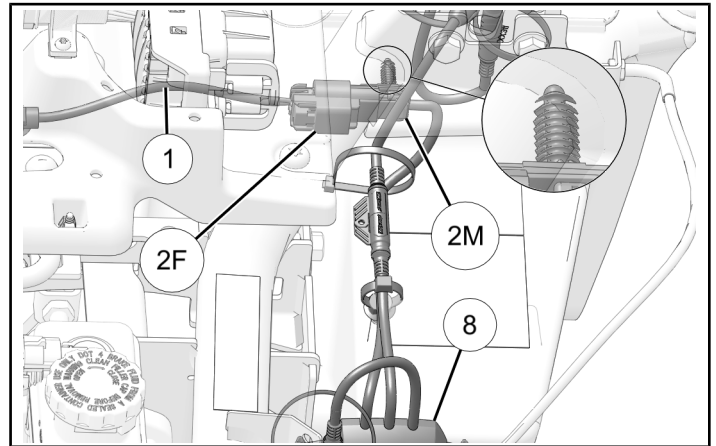


- Put footwell interior light harness ⑤ through firewall following existing wiring. Connect footwell interior light harness ⑤ plug 4F to footwell LED ② plug 4M. Attach with cable ties ⑪.

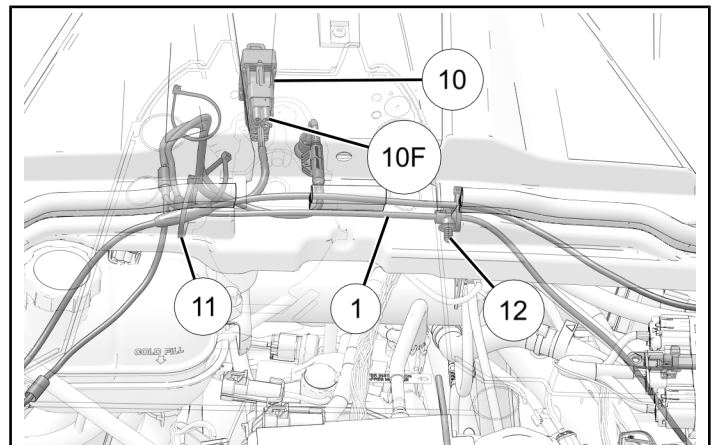


### INSTALL MULTICOLOR INTERIOR LED HARNESS

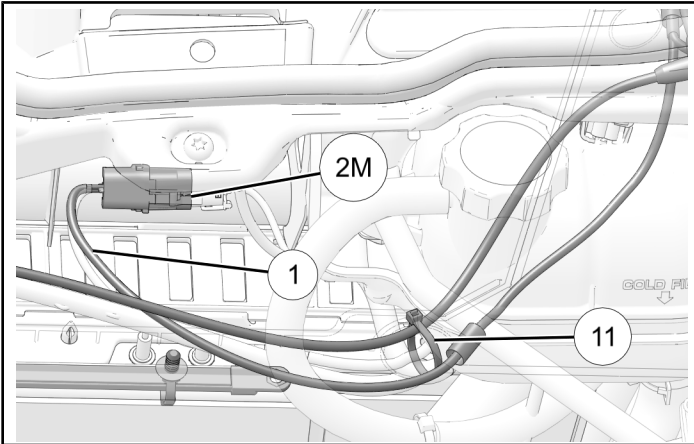
- Connect multicolor interior LED harness ① 2F to bluetooth controller ⑧ 2M. Put push dart in existing hole as shown.



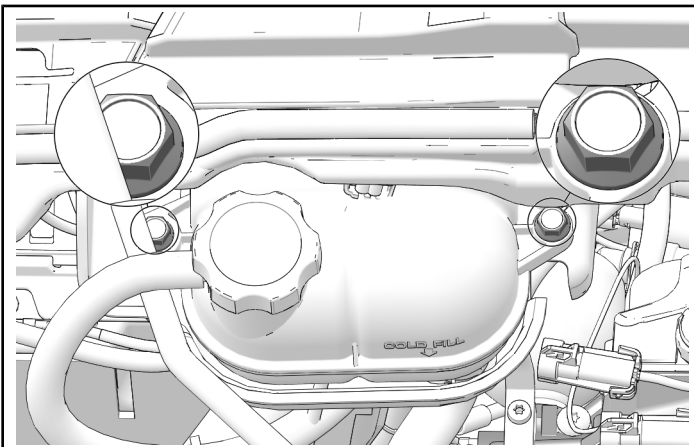
- Put multicolor interior LED harness ① under ECM mounting bracket. Put routing clip ⑫ in existing hole. Put harness through firewall along existing wiring. Connect 10F plug to rocker switch ⑩. Attach with cable ties ⑪.



- Route multicolor interior LED harness ① along existing harness. Put through firewall along existing wiring. Connect plug 2F to chassis harness 2M. Attach with cable ties ⑪.



- Put coolant reservoir in place and install screws. Torque to specification.



#### TORQUE

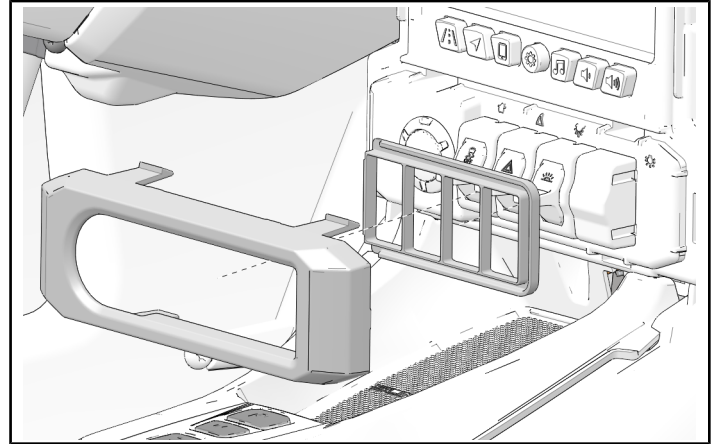
Coolant Reservoir Screws :  
**18 ft-lbs (24 N·m)**

## VEHICLE REASSEMBLY

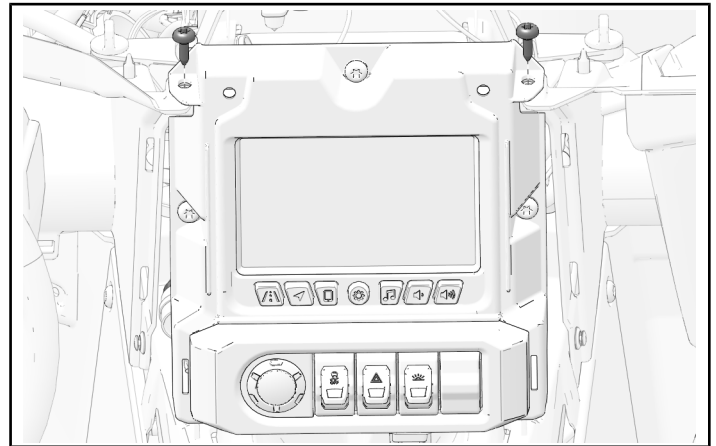
### SWITCH PANEL AND CONSOLE REASSEMBLY

#### INSTALL CONSOLE TRIM

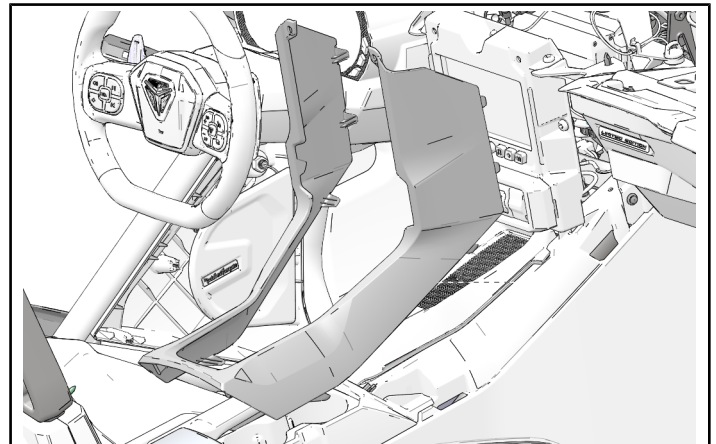
- Put switch retainer bezel and switch bezel in place.



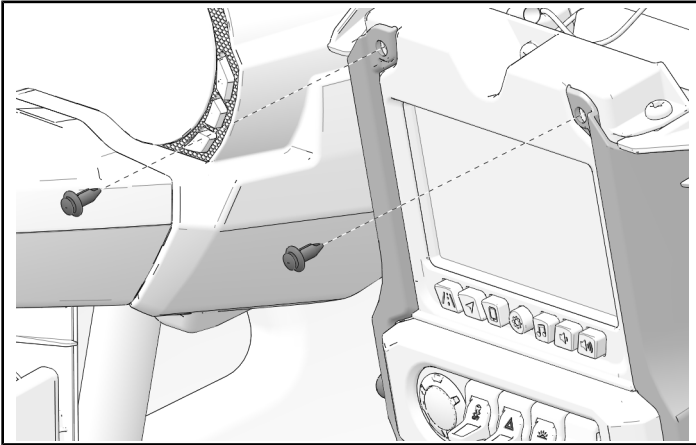
- Put display center in place and install retained fasteners.



- Put center console trim in place.



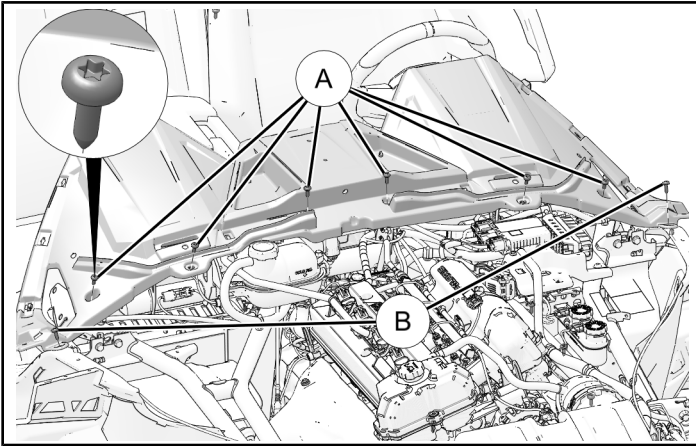
4. Install two retained push pins from center console trim.



## INSTALL UPPER DASH

### INSTALL UPPER DASH PANEL

1. If equipped, connect dash tweeter speakers to main vehicle harness.
2. Set upper dash panel in place and loosely install eight retained screws (A) and (B).



3. Torque eight screws to specification.

#### NOTICE

Inner and outer fasteners have different torque specifications.

#### TORQUE

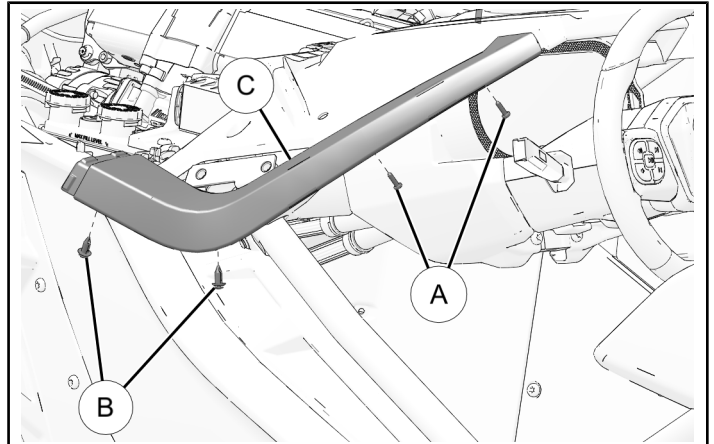
Inner Upper Dash Panel Screws (A):  
**65 in-lbs (7.4 N·m)**

#### TORQUE

Outer Upper Dash Panel Screws (B):  
**36 in-lbs (4 N·m)**

## INSTALL SIDE TRIM PANELS

1. Set side trim panel (C) in place and loosely install two retained screws (A) and install two retained push pin rivets (B).



2. Torque two screws to specification.

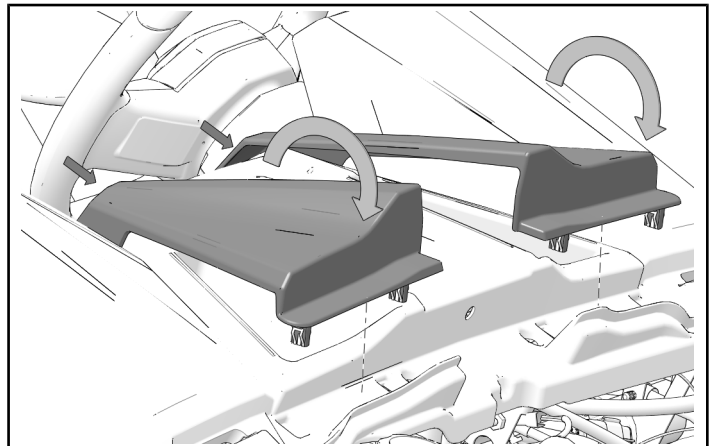
#### TORQUE

Side Trim Panel Screws (A):  
**10 in-lbs (1.1 N·m)**

3. Repeat steps 1–2 for opposite side trim panel.

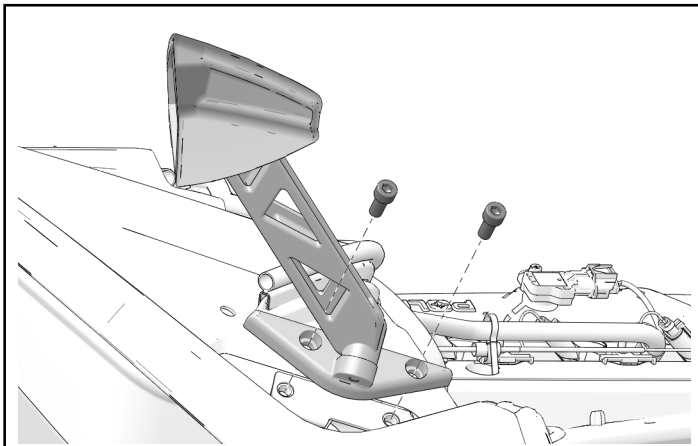
## INSTALL UPPER DASH PAINTED PANELS

1. Put small end of panels under dash and rotate to press clips into place.



## INSTALL MIRRORS

1. Set mirror in place and attach with two mirror mounting screws.



2. Torque mounting screws to specification.

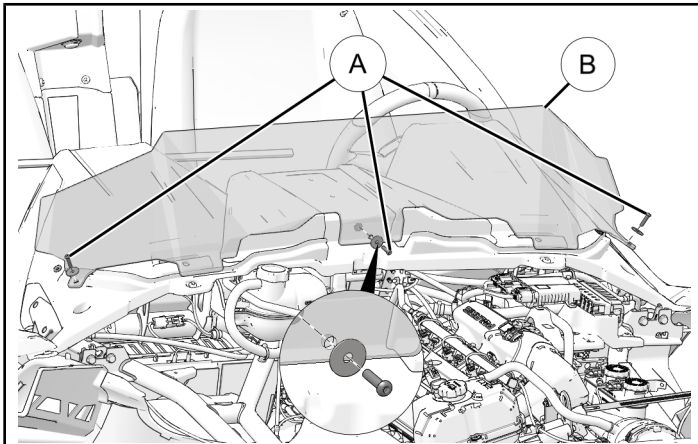
### TORQUE

Mirror Mount Screws:  
**35 ft-lbs (47 N·m)**

3. Repeat for opposite side mirror.

## INSTALL WINDSHIELD

1. Set windshield (B) in place and attach with retained fasteners (A).



2. Torque fasteners to specification (if applicable).

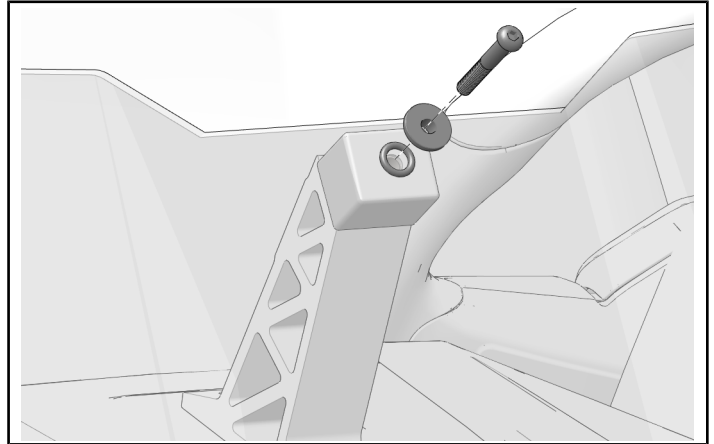
### TORQUE

Windshield Threaded Fastener:  
**13 in-lbs (1.4 N·m)**

3. If equipped, install screw, washer and O-ring into center windshield mount. Torque screw to specification.

### TORQUE

Windshield Center Mount Screw:  
**13 in-lbs (1.4 N·m)**

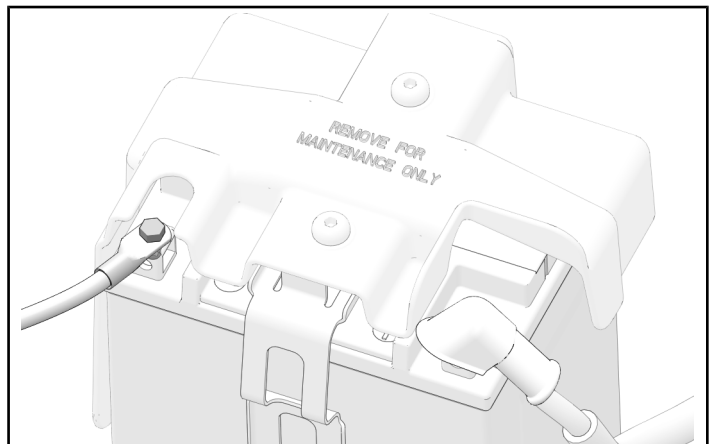


## BATTERY RECONNECT

1. Install negative (-) battery cable to battery with retained terminal bolt.

### TORQUE

Battery Terminal Bolt:  
**40 in-lbs (4.5 N·m)**





## OPERATION

### SLINGSHOT LED APP

Download the Slingshot LED App for the Apple or Android device that will be used to control the

Multicolor Interior LED Kit. Follow the setup procedure in the App.

### INSTRUCTION FEEDBACK FORM

A feedback form has been created for the installer to provide any comments, questions or concerns about the installation instructions. The form is viewable on mobile devices by scanning the QR code or by clicking [HERE](#) if viewing on a PC.



