

PADDLE SHIFTER KIT



SLINGSHOT

P/N 2889061-XXX

IMPORTANT

Due to the technical nature of this kit, Polaris® insists that this installation be performed by a certified Slingshot® technician.

BEFORE YOU BEGIN

Read these instructions and check to be sure all parts and tools are accounted for. Please retain these installation instructions for future reference and parts ordering information.

APPLICATION

Verify accessory fitment at www.polarisslingshot.com.

DISCLAIMER ACCESSORY WEIGHT

When adding accessories, equipment, passengers and luggage to your vehicle, do not exceed the total weight capacity of the vehicle or of the front or rear axle (GVWR or GAWR as indicated on the Safety Compliance Certification label). Ask an authorized dealer for specific weight information if you need assistance. It is the owner's responsibility to use the Polaris Slingshot Accessories website as a tool for limiting the amount of accessories, based on maximum allowable vehicle weight requirements. It may be a violation of the Clean Air Act or the NHTSA regulations to disregard these requirements. For a complete listing of the accessories that are available for your vehicle, please contact your authorized dealer or visit the online store web site: Web Address (United States): <http://www.polaris.com/en-us/slingshot/shop/accessories>.

REQUIRED SOLD SEPARATELY

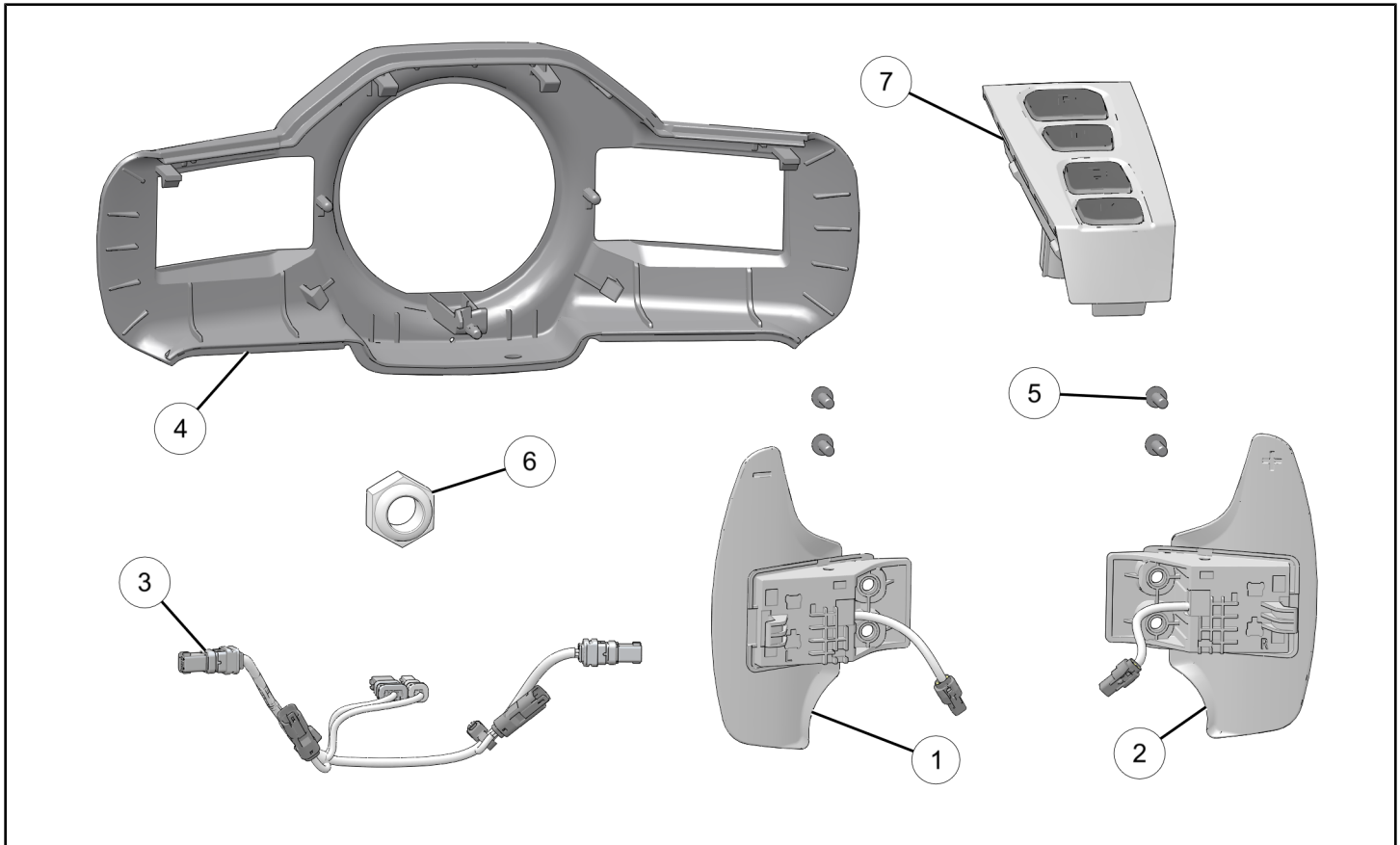
S MODELS ONLY

Only parts for installation of the Paddle Shifter Kit are included. For complete installation, the following additional kit is required (sold separately):

- *Left-Hand Steering Wheel Control Kit, P/N 2889164*

KIT CONTENTS

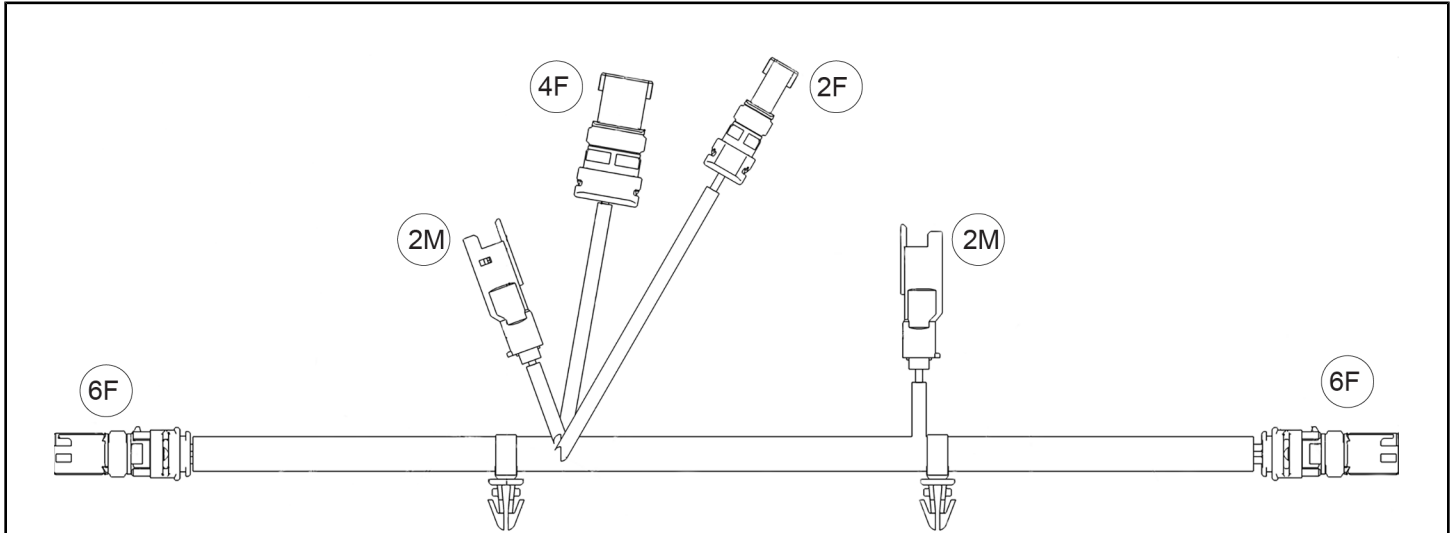
PADDLE SHIFTER KIT P/N 2889061-XXX



REF	QTY	PART DESCRIPTION	P/N AVAILABLE SEPARATELY
1	1	Switch – Paddle, LH	2414728
2	1	Switch – Paddle, RH	2414729
3	1	Harness – Wheel, Steering, Shift	2415298
4	1	Cover – Wheel, Steering, Rear	5456240
5	4	Screw – Paddle Shifter	7521130
6	1	Nut – Hex, Nylon Locking, M16 x 2 mm	7547506
7	1	Assembly, Gear Selector	2415291-XXX
	1	Card – Calibration, 50 State (not shown)	9930768

HARNES DETAIL

STEERING WHEEL SHIFTER HARNESS ③



REF	PART DESCRIPTION	CONNECTS TO
6F	Connector – LH Button Module	Left Hand Steering Wheel Button Module
2M	Connector – Shifter, Left	Left Hand Paddle Shifter
4F	Connector – Clockspring, Power	Clockspring
2F	Connector – Clockspring, CAN	Clockspring
2M	Connector – Shifter, Right	Right Hand Paddle Shifter
6F	Connector – RH Button Module	Right Hand Steering Wheel Button Module

TOOLS REQUIRED

- Safety Glasses
- Digital Wrench®
- Pliers, Needle Nose
- Pliers, Push Pin Rivet
- Pry Tool
- Screwdriver, Slotted
- Service Manual
- Socket Set, Metric
- Socket Set, Torx® Bit
- Torque Wrench
- **Special Service Tool:**
 - Puller, Steering Wheel; M8x1.25 fasteners

CONSUMABLES REQUIRED

- Tape, Electrical

IMPORTANT

Your Paddle Shifter Kit is exclusively designed for your vehicle. Please read the installation instructions thoroughly before beginning. Installation is easier if the vehicle is clean and free of debris. For your safety, and to ensure a satisfactory installation, perform all installation steps correctly in the sequence shown.

INSTALLATION INSTRUCTIONS

VEHICLE PREPARATION

GENERAL

1. Park vehicle on a flat surface.
2. Shift vehicle to NEUTRAL.
3. Press START/STOP button to turn vehicle OFF.
4. Apply parking brake.
5. Remove key fob from proximity of vehicle.

STEERING WHEEL REMOVAL

1. Refer to Slingshot® service manual for steering wheel removal procedure.

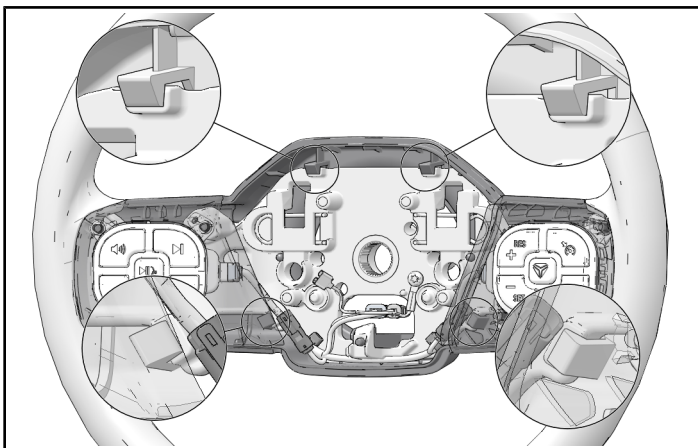
IMPORTANT

- Make sure clockspring and steering shaft remain in orientation during steering wheel removal and installation.
- Steering wheel puller is **REQUIRED**. Never use a hammer or prying method to remove the steering wheel. Doing so can result in damage to the steering system components.

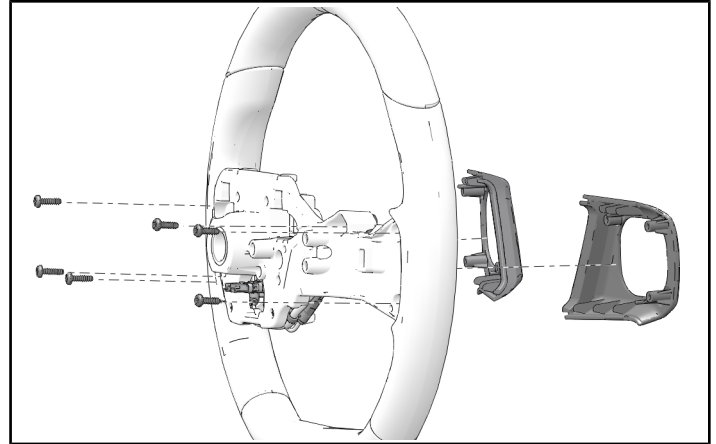
ACCESSORY INSTALLATION

STEERING WHEEL PREPARATION

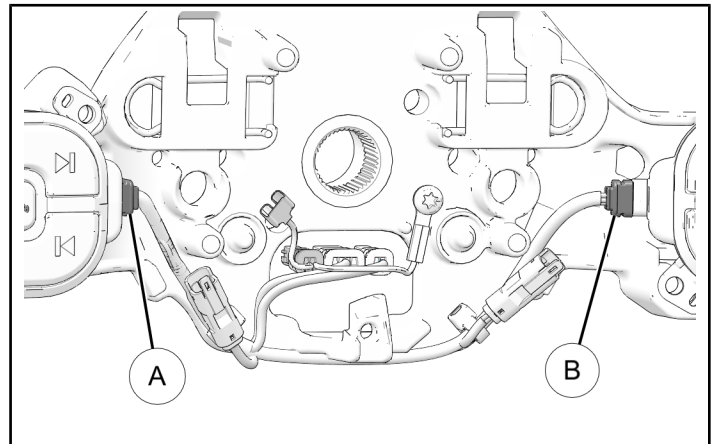
1. Push left-hand bottom clip and right-hand bottom clip on each side of the rear steering wheel cover. Remove rear steering wheel cover.



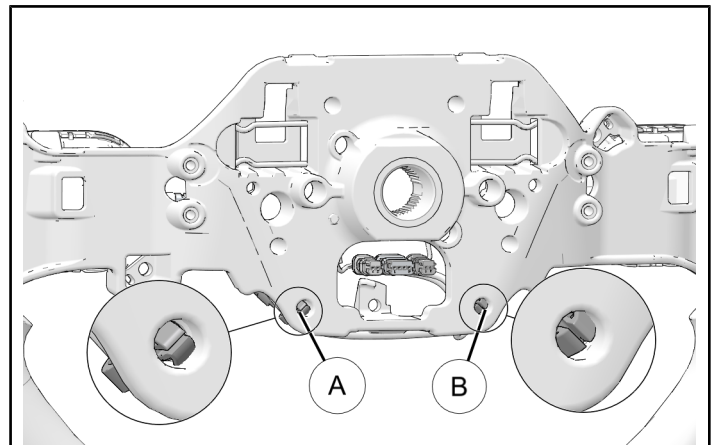
2. Remove and keep six screws and two bezels from steering wheel.



3. Disconnect wiring harness from left-hand (A) and right-hand (B) steering controls.



4. Remove two wiring harness fir tree clips (A) and (B) by pushing them out from the rear of the steering wheel. Discard harness.



UPFITTING ALL S MODELS

For other models skip to next section.

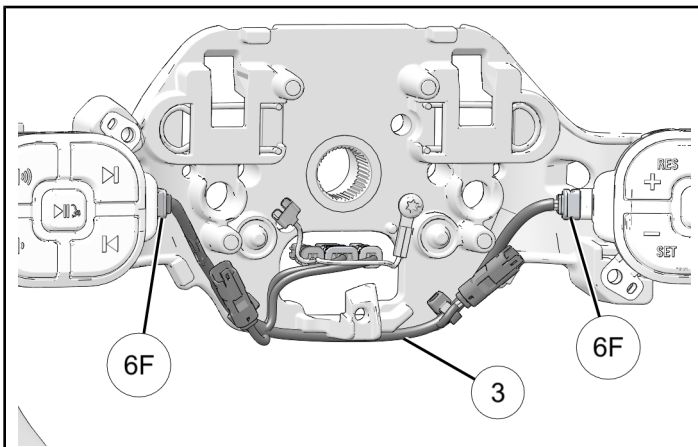
1. Remove and discard left-hand blank switch module.
2. Put new switch module (from kit P/N 2889164 sold separately) onto steering wheel.

NOTE

Do not install switch module screws at this time.

INSTALL NEW WIRING HARNESS

1. Install new wiring harness ③. Make sure cable tie clips are secure. Connect left-hand switch module plug and right-hand switch module plug .

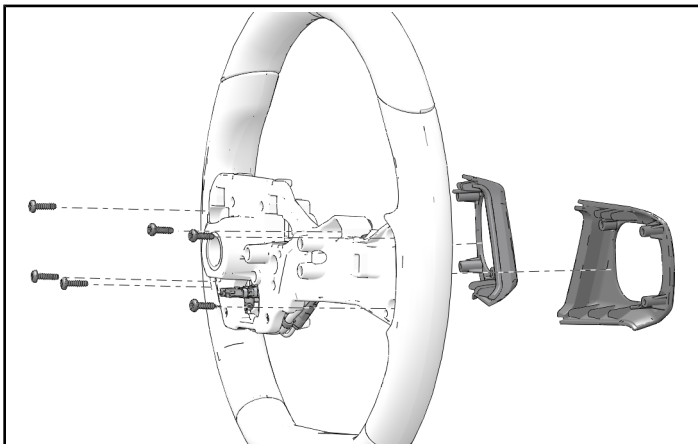


INSTALLING PADDLE SHIFTERS

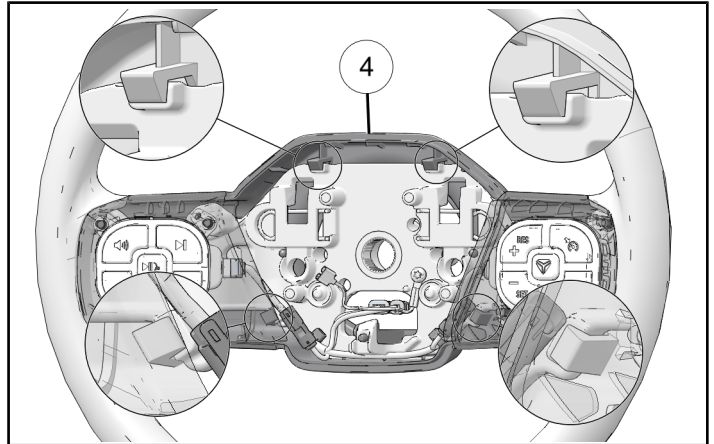
1. Install retained bezels onto steering wheel. Make sure switch modules are positioned on the steering wheel. Torque fasteners to specification.

TORQUE

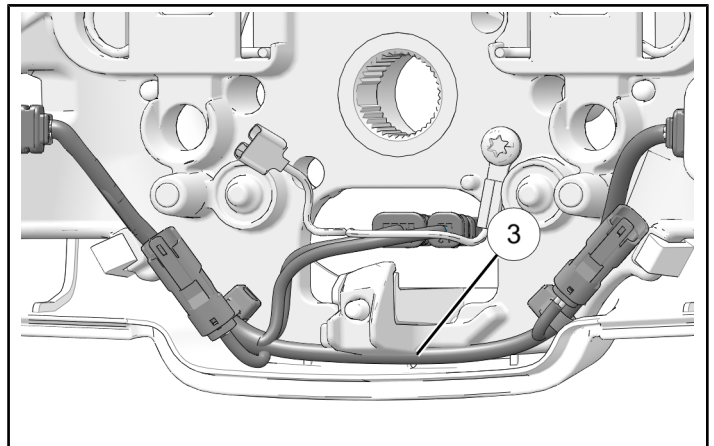
Switch Module Fasteners:
6 in-lbs (0.7 N·m)



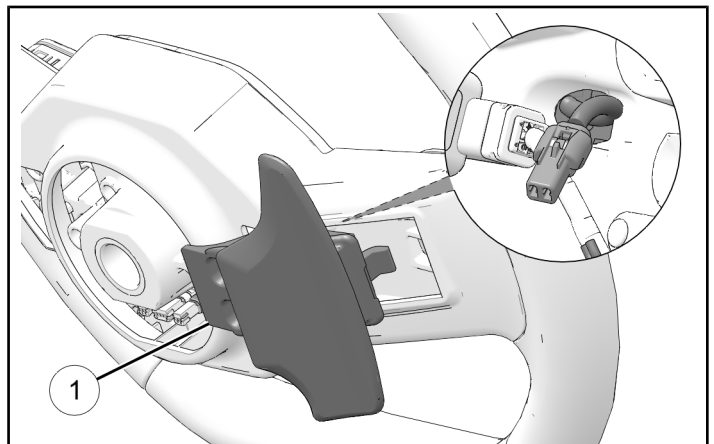
2. Install paddle shifter rear steering wheel cover ④ onto steering wheel. Make sure four clips are in place.



3. Make sure wiring harness ③ is routed as shown.



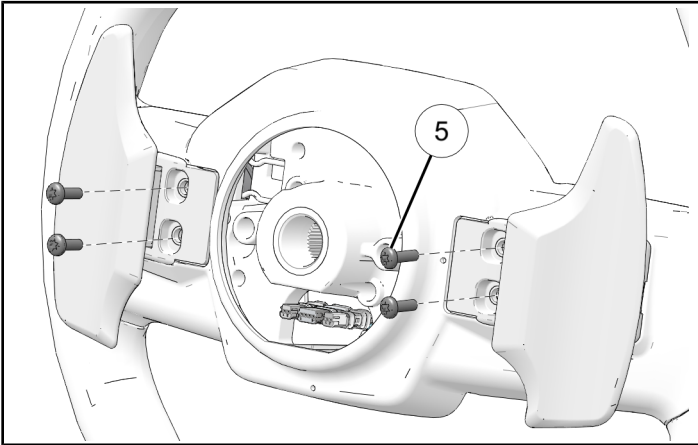
4. Insert paddle shifter wire through hole in steering wheel. Put paddle shifter ① into position.



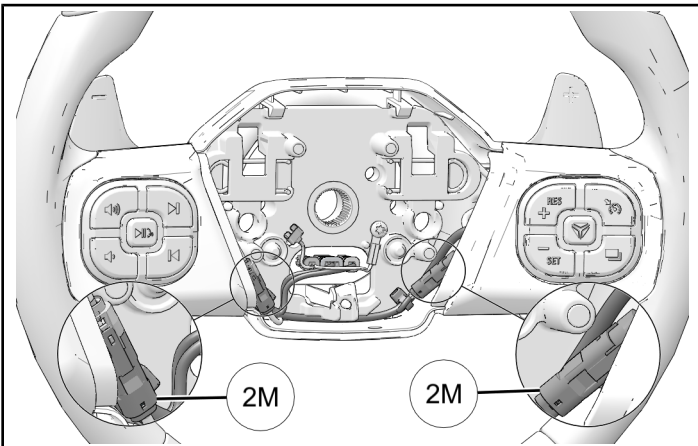
5. Install four paddle shifter screws ⑤. Torque screws to specification.

TORQUE

Paddle Shifter Screws ⑤:
10 in-lbs (1 N·m)



6. Connect left-hand and right-hand paddle shifter wiring harness to steering wheel harness.



GEAR SELECTOR SWITCH UPGRADE

1. Refer to Slingshot® service manual for Gear Selector Switch removal and installation procedure.

VEHICLE REASSEMBLY

GENERAL

STEERING WHEEL INSTALLATION

1. Refer to Slingshot® service manual for steering wheel installation procedure.
2. Test steering wheel for all functions.

DIGITAL WRENCH® SETUP PREREQUISITES

1. Connect vehicle battery to a battery maintainer or charger.
2. Make sure there is a reliable internet connection.
3. Make sure the latest version of Digital Wrench® is installed.
 - a. Log in to Polaris® Dealer Website.
 - b. Select **Service and Warranty** menu.
 - c. Select **Digital Wrench® Updates**.
 - d. Follow on-screen instructions to update Digital Wrench® to latest version.

DIGITAL WRENCH

ECU REPROGRAM

IMPORTANT

Make sure Digital Wrench® is updated to latest version before performing ECU reprogramming.

1. Connect MultiLink XP cable to PC and vehicle.
2. Open Digital Wrench®.
3. Select Change Vehicle Type, then enter model year, product line and vehicle description.
4. Press the Start button twice to power the vehicle into Ignition mode.
5. Select the Special Test tab.
6. Select Accessory Option Install from the Special Test.menu.
7. Select Add Paddle Shifter.
8. Digital Wrench® will walk the installer through the control module update process. An Accessory Calibration ID Card is required.
9. When calibration flash is complete, click the red X.
10. Power off vehicle for at least 10-seconds (press Start button, pull parking brake).

AUTODRIVE SYSTEM BREAK-IN

1. Press the Start button twice to power the vehicle into Ignition mode.
2. In the Special Tests menu, run Transmission Service Procedures.

3. Select Grid Learn. Select Done. Follow the on-screen prompts for Grid Learn.
4. Grid Learn will shift into reverse three times to indicate it is complete.
5. Turn vehicle power off for at least 10-seconds (press Start button, pull parking brake).
6. Press the Start button twice to power the vehicle into Ignition mode.
7. The AutoDrive System Break-In procedure will automatically begin Kiss Point learn. Follow the on-screen prompts to complete the procedure.
8. Turn vehicle power off for at least 10-seconds (press Start button, pull parking brake).

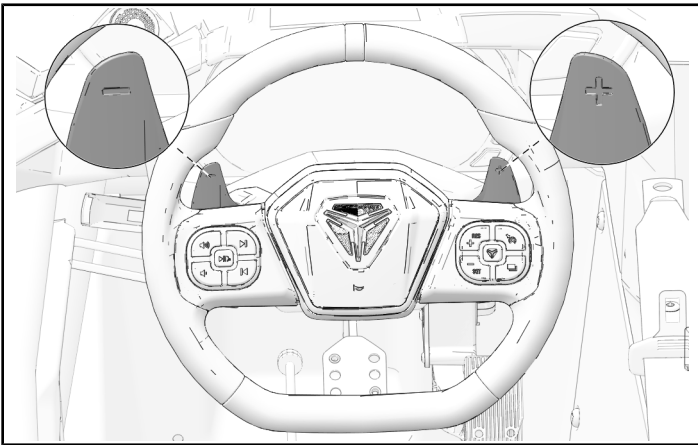
IDLE RELEARN PROCEDURE

NOTE

Idle Relearn Procedure not necessary if only updating TCM on MY21 Vehicles.

1. Start engine, allow engine to idle until it reaches operating temperature (190° F).
2. Slowly increase RPM to 3,000-5,000 then return to idle for five seconds. Repeat two more times (three times total).
3. Turn vehicle power off for at least 10-seconds (press Start button, pull parking brake).
4. Repeat steps 1-3 two more times (three times total).
5. Disconnect Multilink XP cables from vehicle.
6. Make sure the vehicle is on a flat, smooth surface.
7. Start the engine, use the console Gear Selector to place the transmission in drive.
8. Accelerate slowly until the vehicle reaches a speed of 10-12 MPH, then slow the vehicle to a stop. Perform this step five more times (six times total).
9. Turn vehicle power off for at least 15-seconds (press Start button, pull parking brake).
10. Connect MultiLink XP cable to PC and vehicle.
11. Create a service report by selecting Special Tests, then select Service Report.
12. Clear any stored fault codes. Disconnect Digital Wrench®. Test drive vehicle.

OPERATION



1. Make sure AutoDrive transmission is in manual control mode.
2. Squeeze and release the right (+) paddle toward the steering wheel to upshift a gear while vehicle is in motion.
3. Squeeze and release the left (-) paddle toward the steering wheel to downshift a gear while vehicle is in motion.

INSTRUCTION FEEDBACK FORM

A feedback form has been created for the installer to provide any comments, questions or concerns about the installation instructions. The form is viewable on mobile devices by scanning the QR code or by clicking [HERE](#) if viewing on a PC.

