

WHEEL CENTER CAP KIT



SLINGSHOT

P/N 2884819-XXX

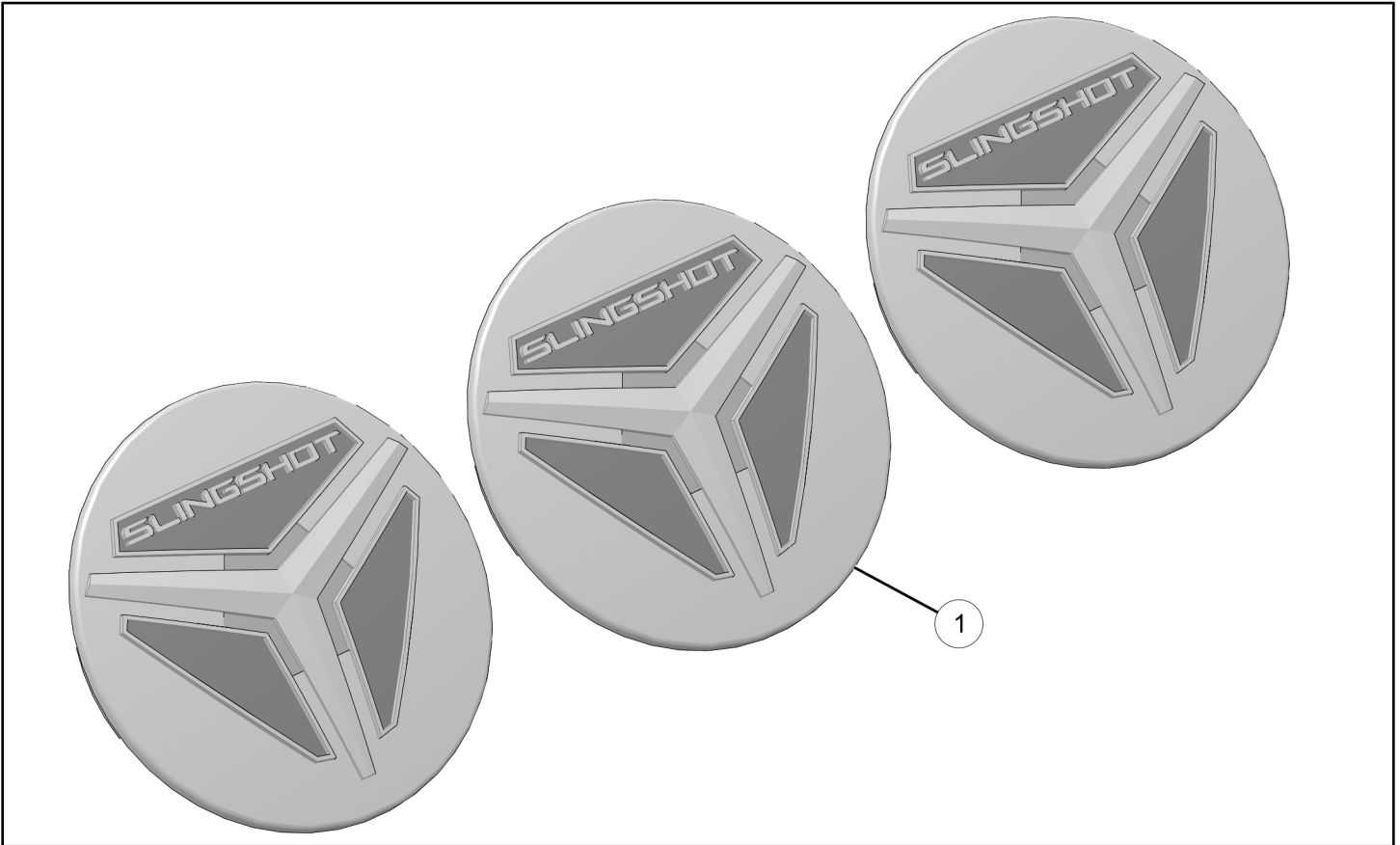
APPLICATION

Verify accessory fitment at www.polarisslingshot.com.

BEFORE YOU BEGIN

Read these instructions and check to be sure all parts and tools are accounted for. Please retain these installation instructions for future reference and parts ordering information.

KIT CONTENTS



NOTICE

XXX = Polaris® color code (For example: 266 = Black)

| REF | QTY | PART DESCRIPTION | P/N AVAILABLE SEPARATELY |
|-----|-----|-------------------|--------------------------|
| 1 | 3 | Wheel Cap, Center | 5450160-XXX |

TOOLS REQUIRED

- Safety Glasses
- Torque Wrench
- Socket Set, Metric
- Vehicle Lift/Support Equipment

IMPORTANT

Your Wheel Center Cap Kit is exclusively designed for your vehicle. Please read the installation instructions thoroughly before beginning. Installation is easier if the vehicle is clean and free of debris. For your safety, and to ensure a satisfactory installation, perform all installation steps correctly in the sequence shown.

INSTALLATION INSTRUCTIONS

VEHICLE PREPARATION

GENERAL

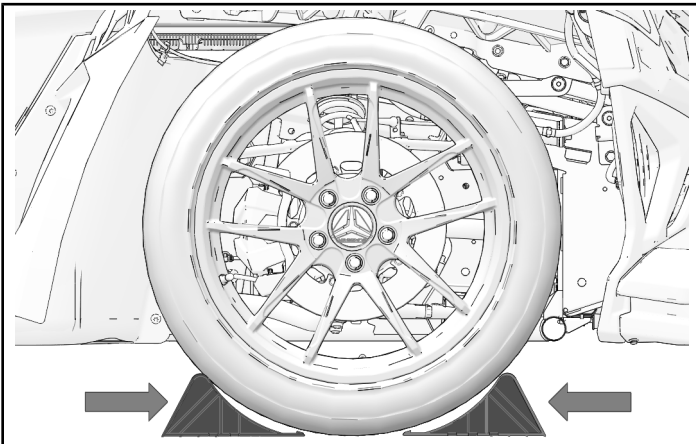
NOTICE

Repeat this procedure for all 3 wheels.

1. Shift vehicle transmission into **NEUTRAL**.
2. Press start/stop button to turn vehicle **OFF**.
3. Apply parking brake.
4. Remove key fob from proximity of vehicle.

CHOCK WHEELS

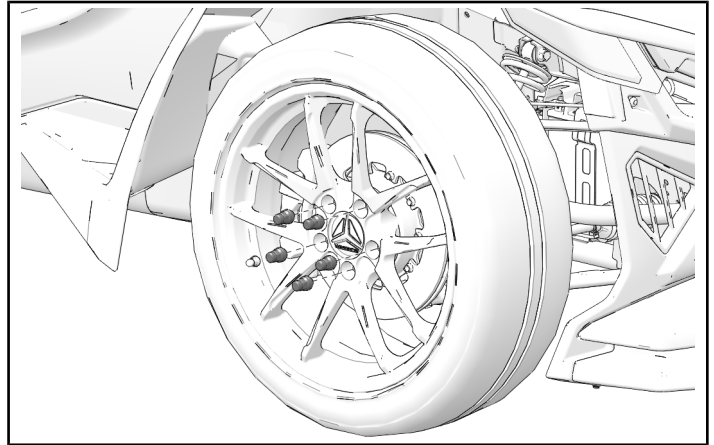
1. When lifting the rear wheel with a floor jack, always chock at least one of the front tires with a wheel chock on both the front and back side of the tire.



REMOVE WHEEL

1. If using a hand wrench, break loose each lug nut on wheels *before* jacking up wheel.
2. Locate appropriate lift points for vehicle before lifting. Lift points can be located in the owner's manual for your vehicle.
3. Lift desired wheel until tire no longer touches floor.

4. Remove lug nuts from wheel and set aside.



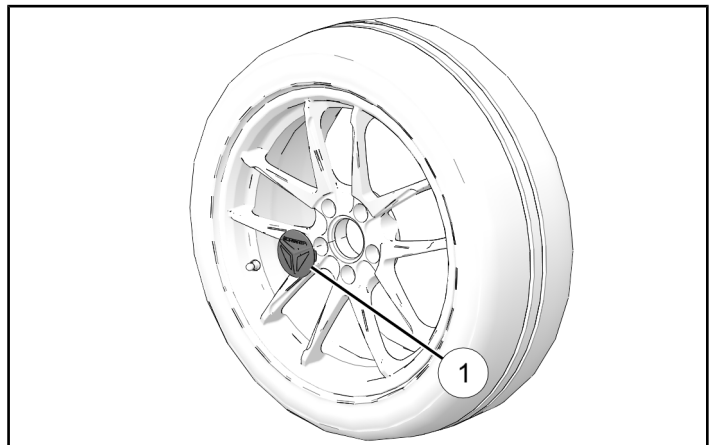
5. Remove wheel from vehicle.

ACCESSORY INSTALLATION

1. Press center cap out of wheel from inside wheel.



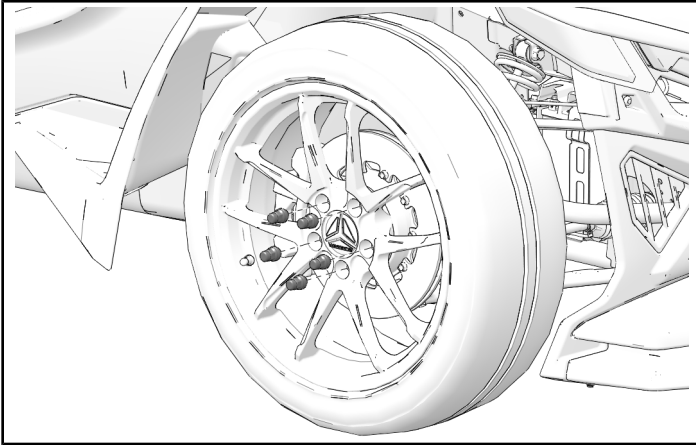
2. Press new center cap ① into place until cap is flush with wheel face.



VEHICLE REASSEMBLY

INSTALL WHEEL

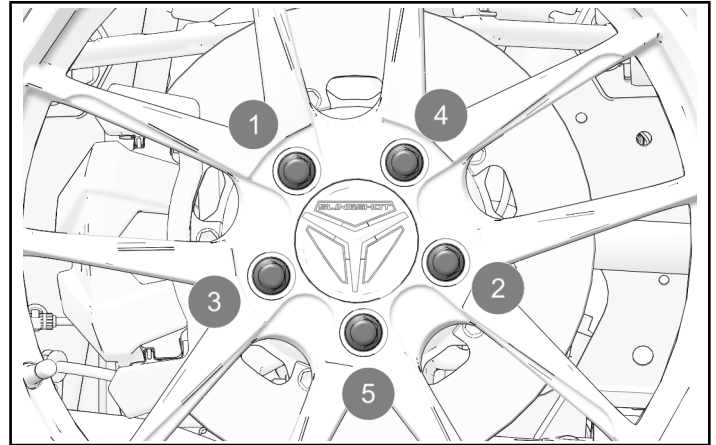
1. Install wheel onto studs and install lug nuts in star pattern hand tight.



2. Lower wheel onto ground and torque lug nuts to specification in a star pattern.

TORQUE

Lug Nut:
75 ft-lbs (102 N·m)



INSTRUCTION FEEDBACK FORM

A feedback form has been created for the installer to provide any comments, questions or concerns about the installation instructions. The form is viewable on mobile devices by scanning the QR code or by clicking [HERE](#) if viewing on a PC.

