

# LOWER ACCENT LIGHT KIT



**SLINGSHOT**

P/N 2884606

## APPLICATION

Verify accessory fitment at [www.polarisslingshot.com](http://www.polarisslingshot.com).

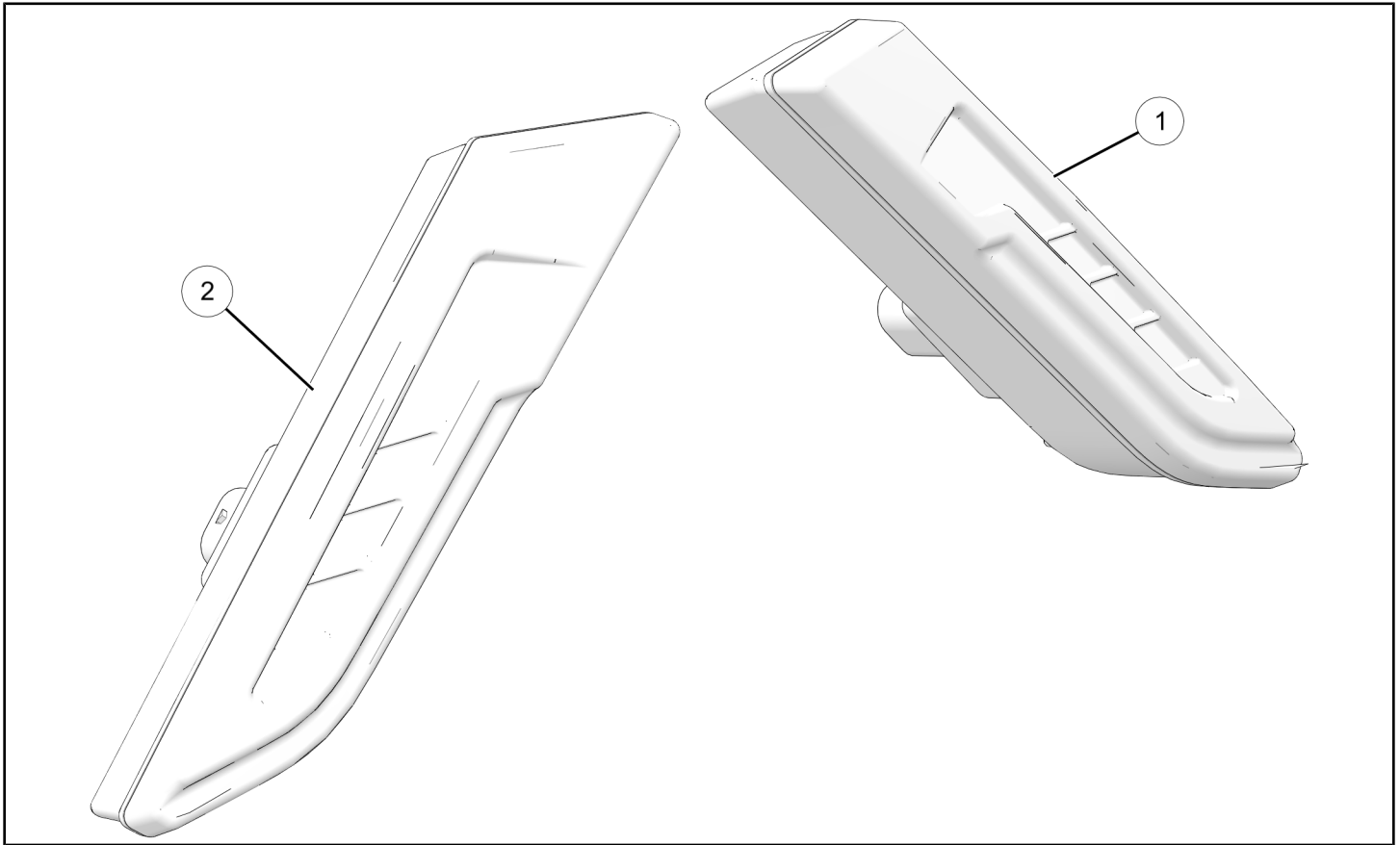
### IMPORTANT

This kit is for USA Models only.

## BEFORE YOU BEGIN

Read these instructions and check to be sure all parts and tools are accounted for. Please retain these installation instructions for future reference and parts ordering information.

## KIT CONTENTS



REF	QTY	PART DESCRIPTION	P/N AVAILABLE SEPARATELY
1	1	Light, Accent, Lower, LH	2414079
2	1	Light, Accent, Lower, RH	2414080

## TOOLS REQUIRED

- Safety Glasses
- Pliers, Side Cutting
- Socket Set, SAE
- Torque Wrench

## IMPORTANT

Your Lower Accent Light Kit is exclusively designed for your vehicle. Please read the installation instructions thoroughly before beginning. Installation is easier if the vehicle is clean and free of debris. For your safety, and to ensure a satisfactory installation, perform all installation steps correctly in the sequence shown.

## INSTALLATION INSTRUCTIONS

### VEHICLE PREPARATION

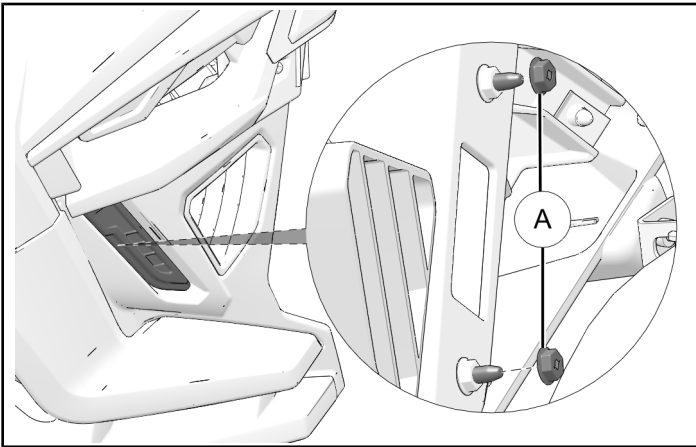
#### GENERAL

1. Power **OFF** vehicle with start stop button and remove key fob from proximity of vehicle.
2. Apply parking brake.
3. Ensure vehicle is park on a flat surface and is stable prior to installation.

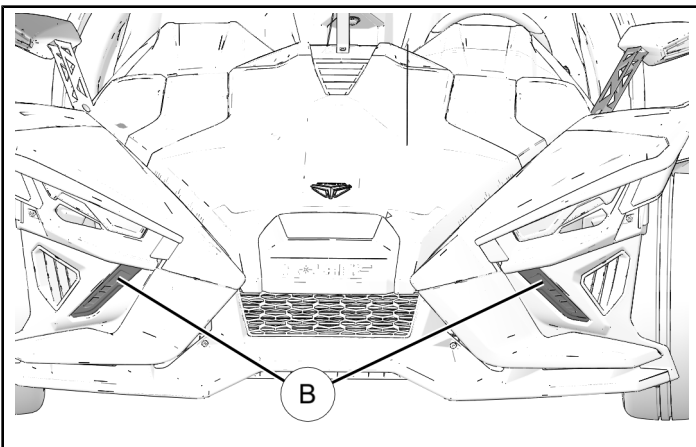
### ACCESSORY INSTALLATION

#### REMOVE FILLER PANEL

1. Remove and retain two nuts **A** from behind LH blank panel.



2. Repeat step 1 for RH blank panel.
3. Remove and discard both blank panels **B**.

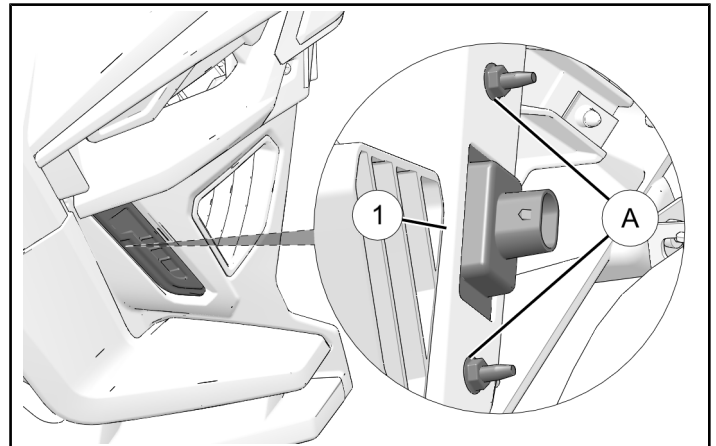


#### INSTALL LIGHT

1. Install new LH light **1** into opening and secure with two retained nuts. Torque to specification.

#### TORQUE

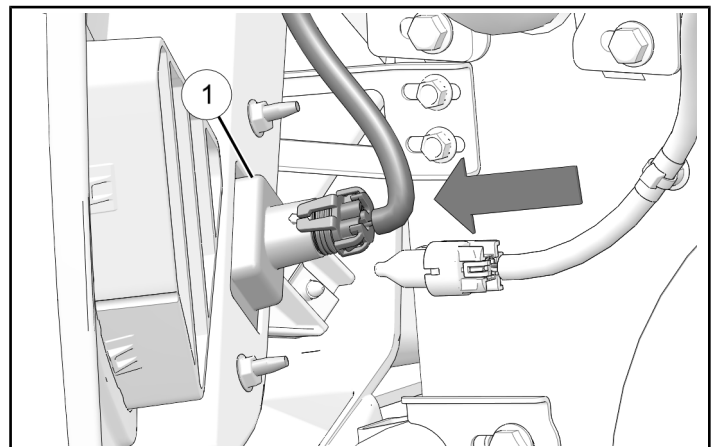
Lower Accent Light Nuts **A**:  
**9 in-lbs (1 N·m)**



2. Locate wiring harness for lighting, clean any dirt or debris from connector and connect to LH light **1** until a click is heard.

#### TIP

Cable ties may need to be removed or cut for harness to reach.



3. Repeat section for RH light **2**.

## FEEDBACK FORM

A feedback form has been created for the installer to provide any comments, questions or concerns about the installation instructions. The form is viewable on mobile devices by scanning the QR code or by clicking [HERE](#) if viewing on a PC.

