

PAINTED LOWER ACCENT PANEL KIT



SLINGSHOT

P/N 2884605-XXX

APPLICATION

Verify accessory fitment at www.polarisslingshot.com.

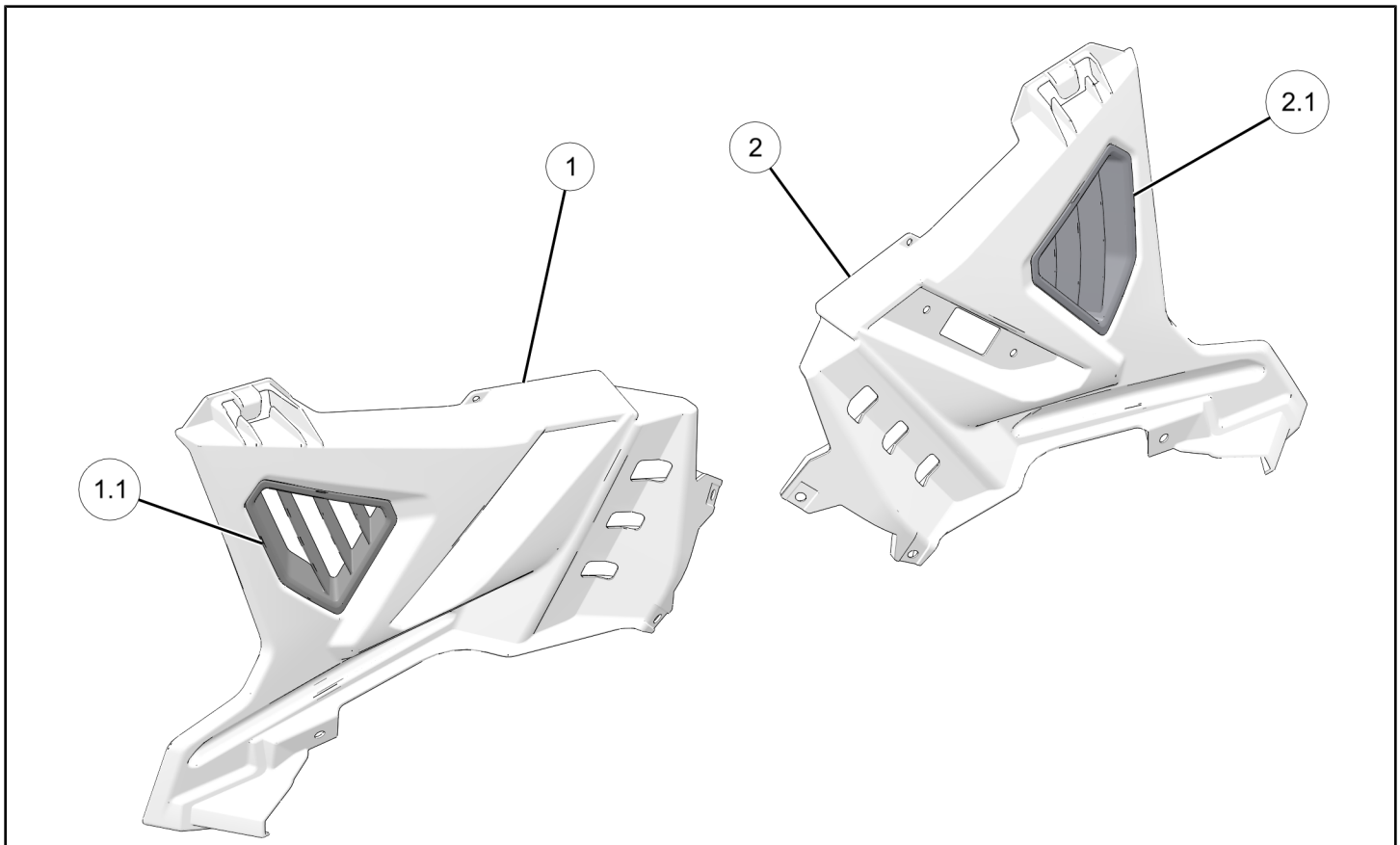
BEFORE YOU BEGIN

Read these instructions and check to be sure all parts and tools are accounted for. Please retain these installation instructions for future reference and parts ordering information.

DISCLAIMER ACCESSORY WEIGHT

When adding accessories, equipment, passengers and luggage to your vehicle, do not exceed the total weight capacity of the vehicle or of the front or rear axle (GVWR or GAWR as indicated on the Safety Compliance Certification label). Ask an authorized dealer for specific weight information if you need assistance. It is the owner's responsibility to use the Polaris Slingshot Accessories website as a tool for limiting the amount of accessories, based on maximum allowable vehicle weight requirements. It may be a violation of the Clean Air Act or the NHTSA regulations to disregard these requirements. For a complete listing of the accessories that are available for your vehicle, please contact your authorized dealer or visit the online store web site: Web Address (United States): <http://www.polaris.com/en-us/slingshot/shop/accessories>.

KIT CONTENTS



NOTICE

XXX = Polaris Slingshot® color code (For example: 266 = Black)

REF	QTY	PART DESCRIPTION	P/N AVAILABLE SEPARATELY
1	1	Assembly, Lower Accent Panel, RH	n/a
1.1	1	- Louver, Front Closeout, RH	5454892
2	1	Assembly, Lower Accent Panel, LH	n/a
2.1	1	- Louver, Front Closeout, LH	5454891

TOOLS REQUIRED

- Safety Glasses
- Pliers, Push Pin Rivet
- Push Dart (Panel Clip) Tool
- Socket Set, Metric
- Socket Set, Torx® Bit
- Torque Wrench

IMPORTANT

Your Painted Lower Accent Panel Kit is exclusively designed for your vehicle. Please read the installation instructions thoroughly before beginning. Installation is easier if the vehicle is clean and free of debris. For your safety, and to ensure a satisfactory installation, perform all installation steps correctly in the sequence shown.

INSTALLATION INSTRUCTIONS

VEHICLE PREPARATION

GENERAL

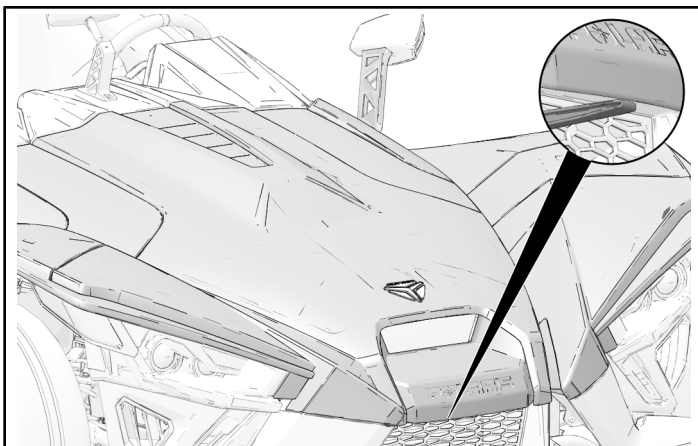
1. Shift vehicle transmission to **NEUTRAL**.
2. Press start/stop button to turn vehicle **OFF**.
3. Apply parking brake.
4. Remove key fob from proximity of vehicle.

OPENING HOOD

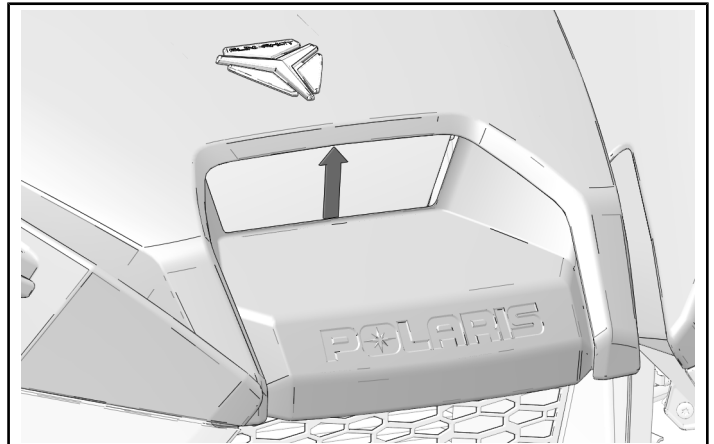
NOTICE

Do not open hood using plastic directly above hood release lever. This will lead to cracking.

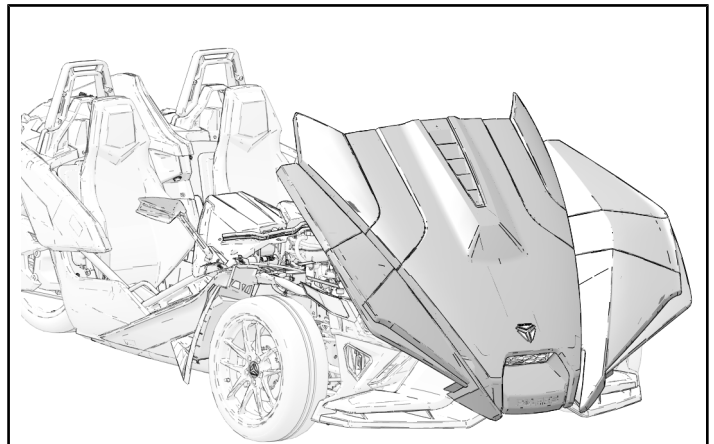
1. Make sure parking brake is applied.
2. Pull hood release lever upward to disengage four hood latches.



3. Pull upwards on hood underside, above LED lamp, using two hands.



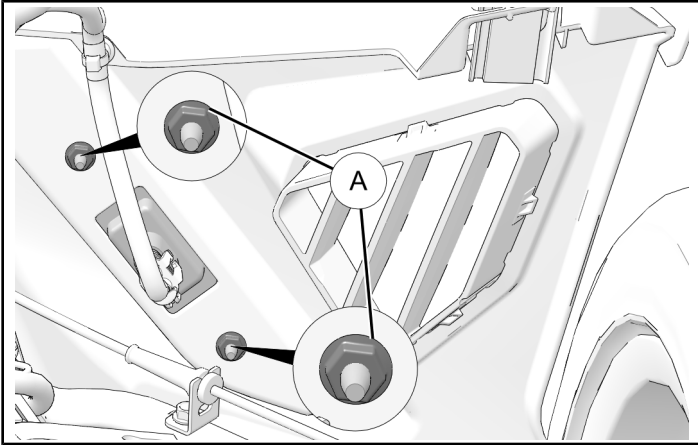
4. Pull hood upward and forward, rotating hood to a vertical position.



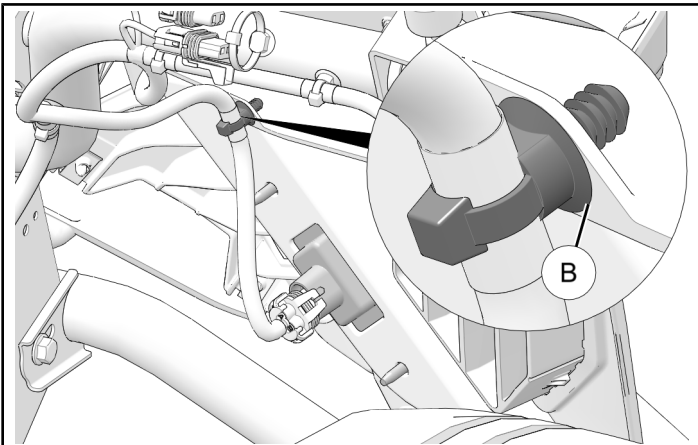
ACCESSORY INSTALLATION

PANEL REMOVAL

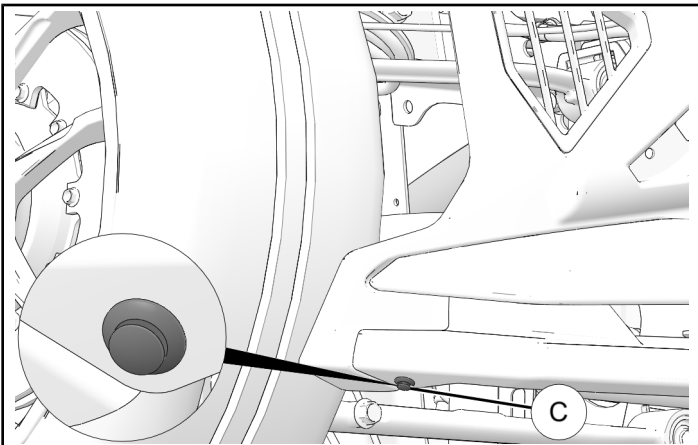
1. Remove and keep two nuts **A** from back of blank panel or lower accent light (if equipped).



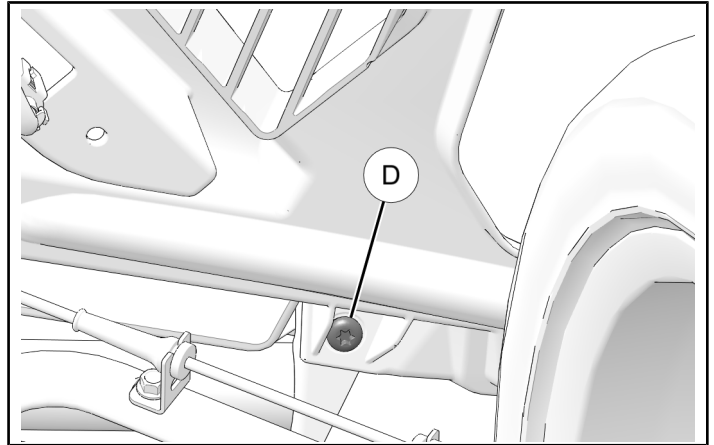
2. Remove harness retention clip **B** from lower accent panel. If equipped with lower accent light, disconnect light.



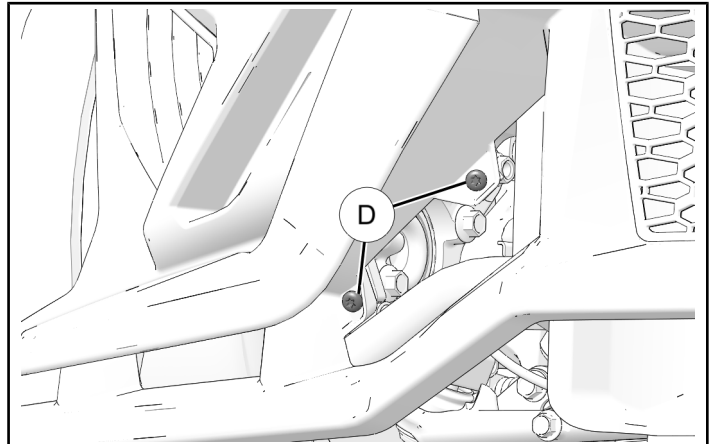
3. Remove and keep lower push pin rivet **C**.



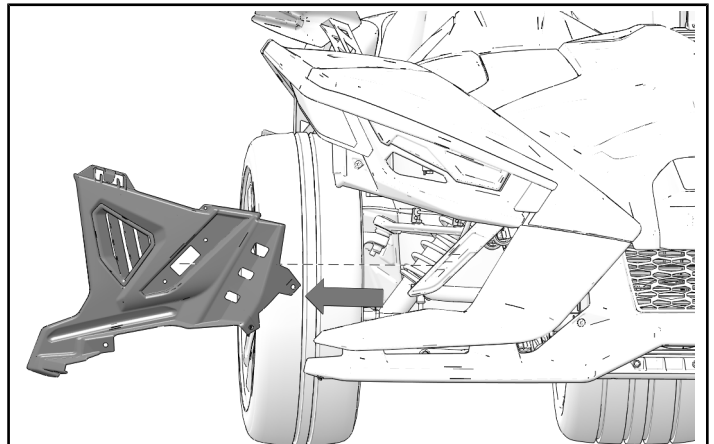
4. Remove and keep one inner screw **D** from lower accent panel.



5. Remove and keep two outer screws **D** from lower accent panel.



6. Remove and discard stock lower accent panel.



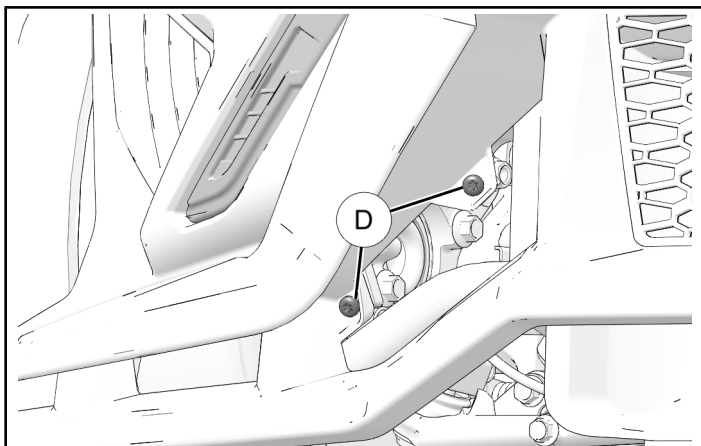
7. Repeat steps 1-6 of this section for opposite side.

PANEL INSTALLATION

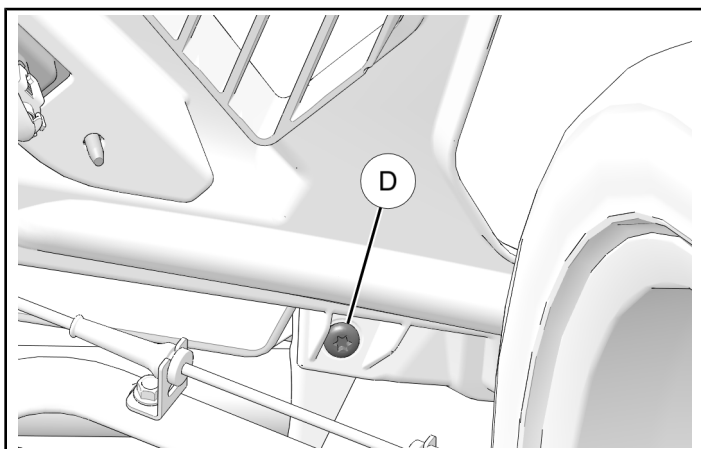
1. Install new accent panel ①.
2. Install two outer screws ④. Torque screws to specification.

TORQUE

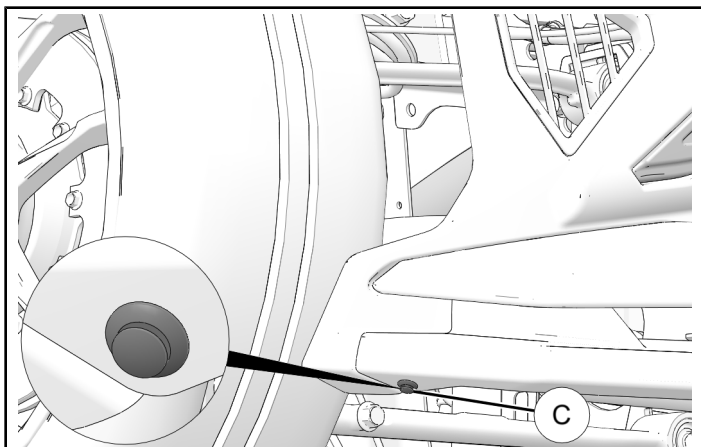
Accent Panel Screw ④:
65 in-lbs (7 N·m)



3. Install one inner screw ④. Torque screw to specification.



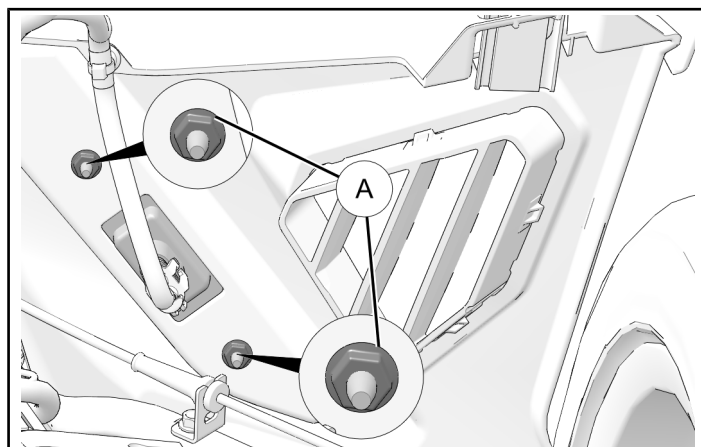
4. Install lower push pin rivet ③.



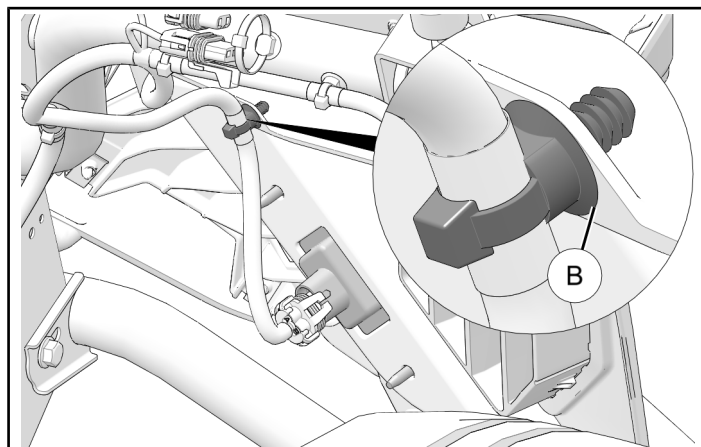
5. Install lower accent light or filler panel with two nuts ⑤. Torque fasteners to specification.

TORQUE

Lower Accent Light or Filler Panel Nuts ⑤:
9 in-lbs (1 N·m)



6. If lower accent panel is equipped with a light, connect wiring harness connector.
7. Attach harness retention clip ⑥ to lower accent panel.



8. Repeat steps 1-7 of this section for opposite side.

FEEDBACK FORM

A feedback form has been created for the installer to provide any comments, questions or concerns about the installation instructions. The form is viewable on mobile devices by scanning the QR code or by clicking [HERE](#) if viewing on a PC.

