

# PAINTED UPPER ACCENT PANEL KIT



SLINGSHOT

P/N 2884604-XXX

## APPLICATION

Verify accessory fitment at [www.polarisslingshot.com](http://www.polarisslingshot.com).

### IMPORTANT

Will not work with Canadian models.

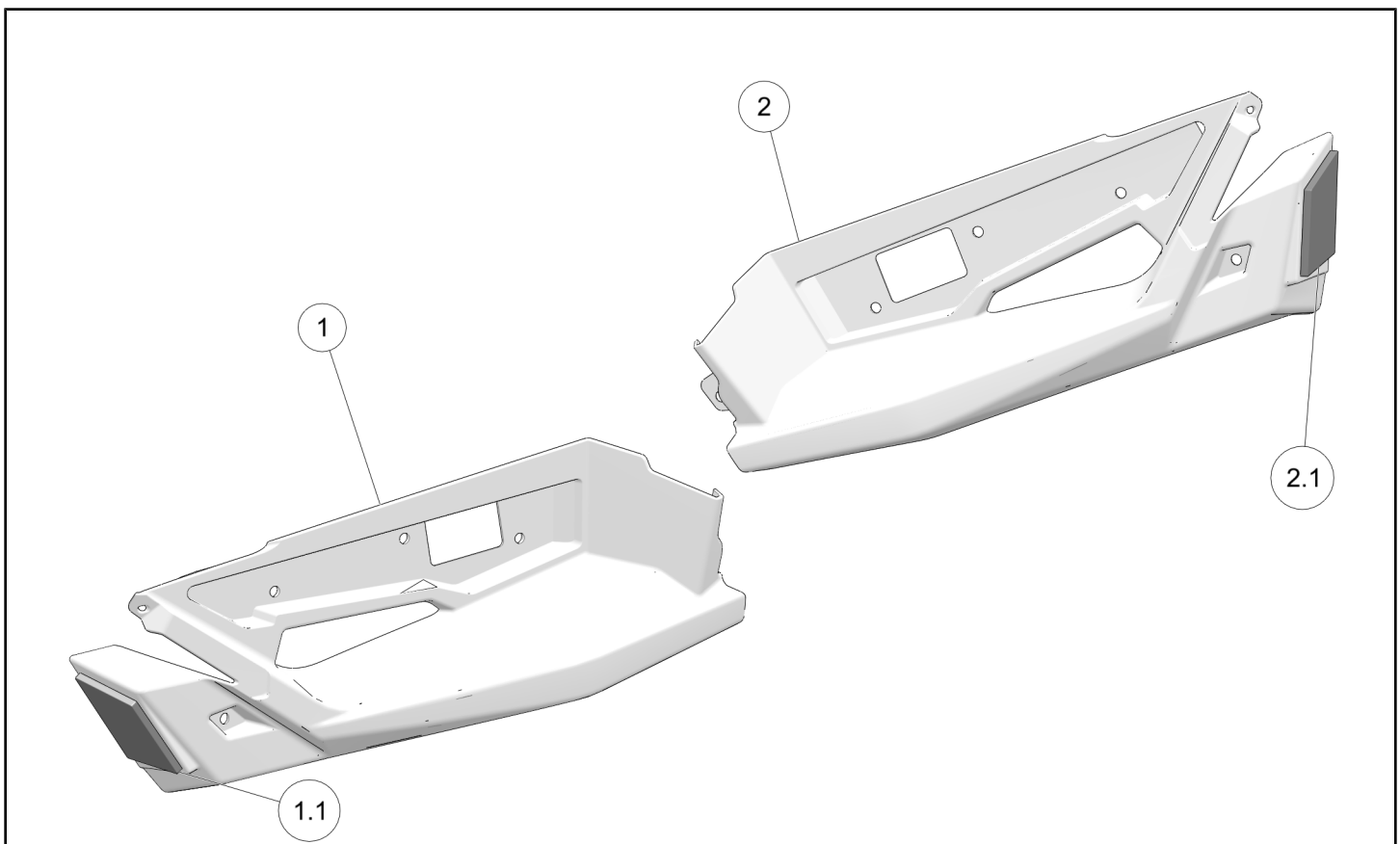
## BEFORE YOU BEGIN

Read these instructions and check to be sure all parts and tools are accounted for. Please retain these installation instructions for future reference and parts ordering information.

## DISCLAIMER ACCESSORY WEIGHT

When adding accessories, equipment, passengers and luggage to your vehicle, do not exceed the total weight capacity of the vehicle or of the front or rear axle (GVWR or GAWR as indicated on the Safety Compliance Certification label). Ask an authorized dealer for specific weight information if you need assistance. It is the owner's responsibility to use the Polaris Slingshot Accessories website as a tool for limiting the amount of accessories, based on maximum allowable vehicle weight requirements. It may be a violation of the Clean Air Act or the NHTSA regulations to disregard these requirements. For a complete listing of the accessories that are available for your vehicle, please contact your authorized dealer or visit the online store web site: Web Address (United States): <http://www.polaris.com/en-us/slingshot/shop/accessories>.

## KIT CONTENTS



## NOTICE

XXX = Slingshot® color code (For example: 266 = Black)

REF	QTY	PART DESCRIPTION	P/N AVAILABLE SEPARATELY
1	1	Upper Accent Panel RH	n/a
1.1	1	– Reflector, Amber, Rhombus RH	5451346
2	1	Upper Accent Panel, LH	n/a
2.1	1	– Reflector, Amber, Rhombus LH	5451345

## TOOLS REQUIRED

- Safety Glasses
- Socket Set, Hex Bit, Metric
- Socket Set, Metric
- Socket Set, Torx® Bit
- Torque Wrench

## IMPORTANT

Your Painted Upper Accent Panel Kit is exclusively designed for your vehicle. Please read the installation instructions thoroughly before beginning. Installation is easier if the vehicle is clean and free of debris. For your safety, and to ensure a satisfactory installation, perform all installation steps correctly in the sequence shown.

## INSTALLATION INSTRUCTIONS

### VEHICLE PREPARATION

#### GENERAL

1. Shift vehicle transmission to **NEUTRAL**.
2. Press start/stop button to turn vehicle **OFF**.
3. Apply parking brake.
4. Remove key fob from proximity of vehicle.

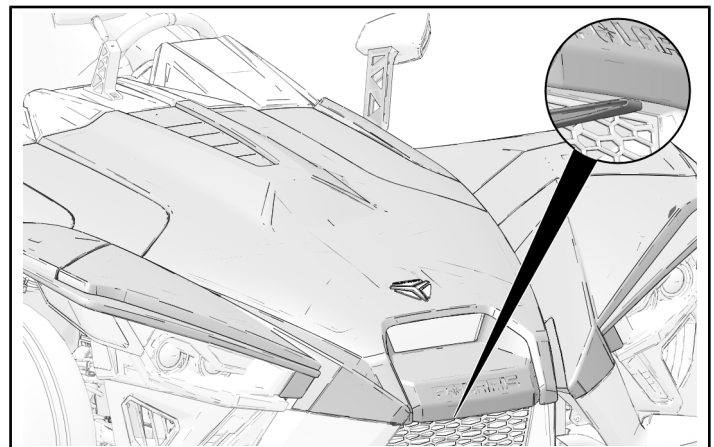
#### OPENING HOOD

### NOTICE

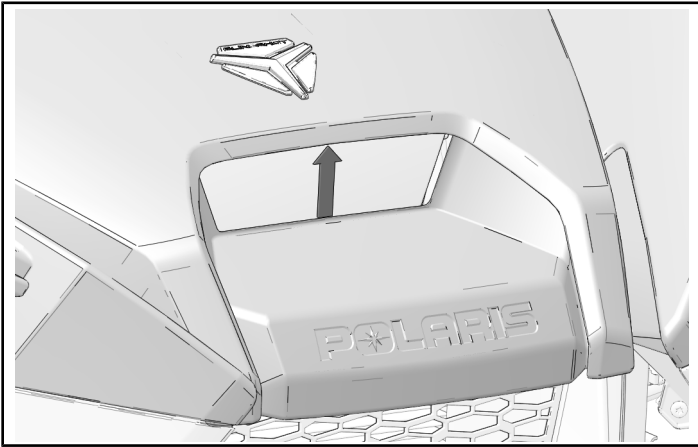
Do not open hood using plastic directly above hood release lever. This will lead to cracking.

1. Make sure parking brake is applied.

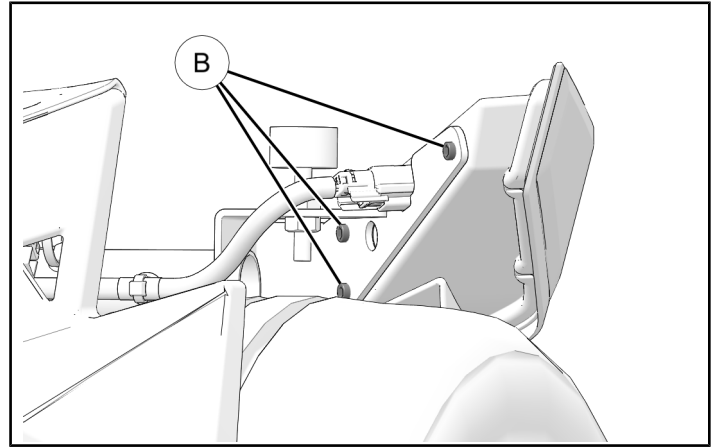
2. Pull hood release lever upward to disengage four hood latches.



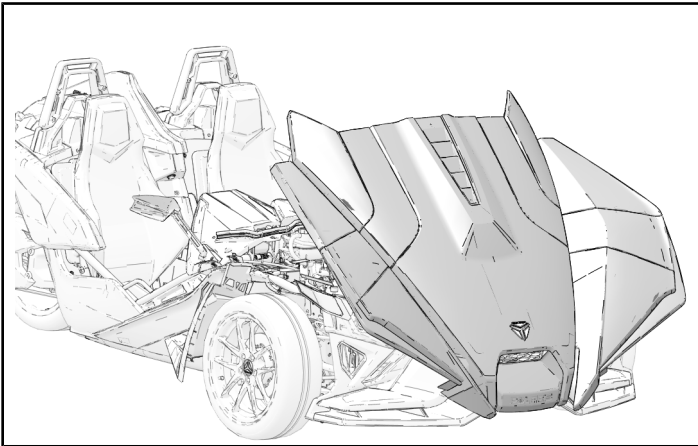
3. Pull upwards on hood underside, above LED lamp, using two hands.



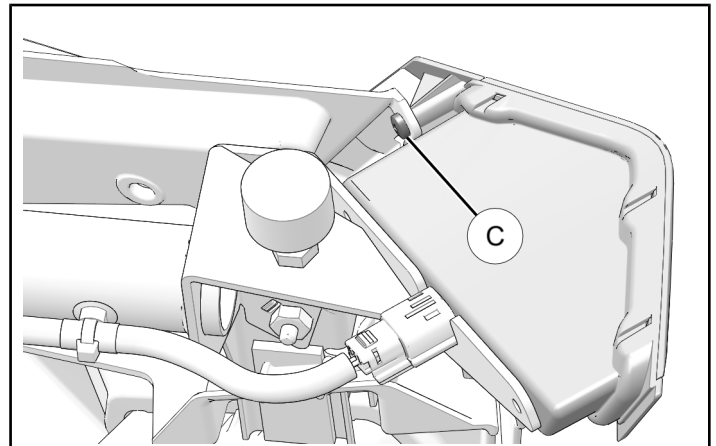
2. Remove and keep three screws (B) from the back of the side marker light.



4. Pull hood upward and forward, rotating hood to a vertical position.



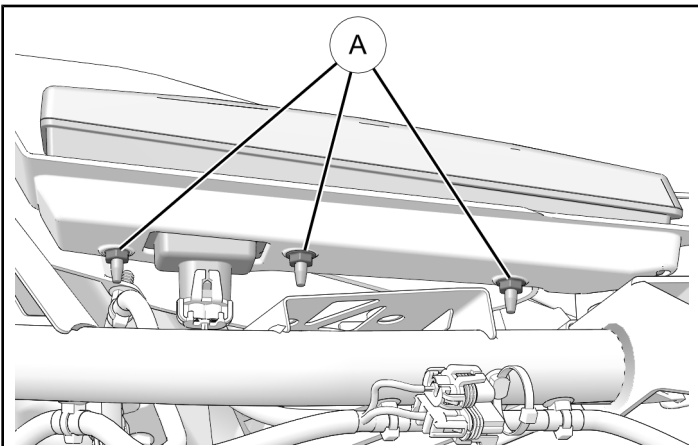
3. Remove and keep one screw (C) from the back of the side marker light. Disconnect and keep side marker light.



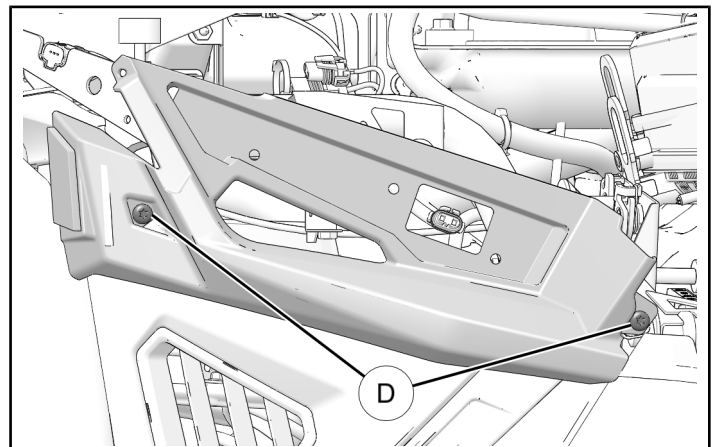
## ACCESSORY INSTALLATION

### PANEL REMOVAL

1. Remove and keep three speed nuts (A) from the back of upper accent light. Disconnect and keep upper accent light.



4. Remove and keep two screws from the front of the upper accent panel. Remove and discard upper accent panel.

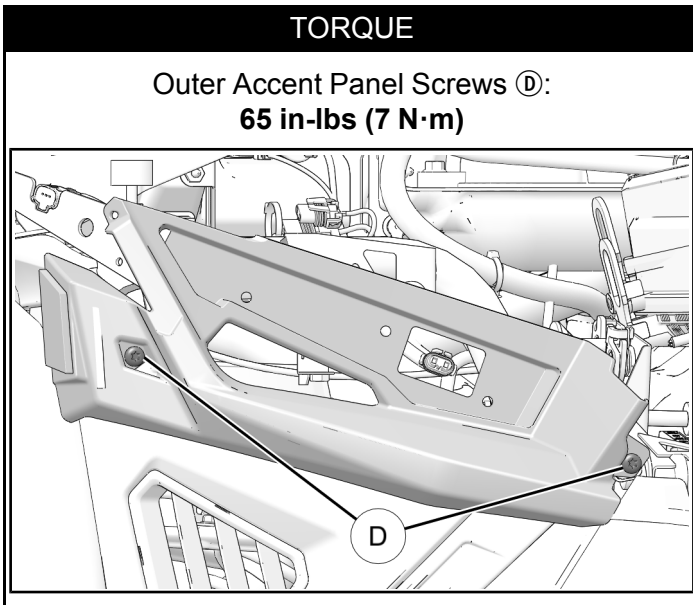


5. Repeat steps 1-4 of this section for opposite side.

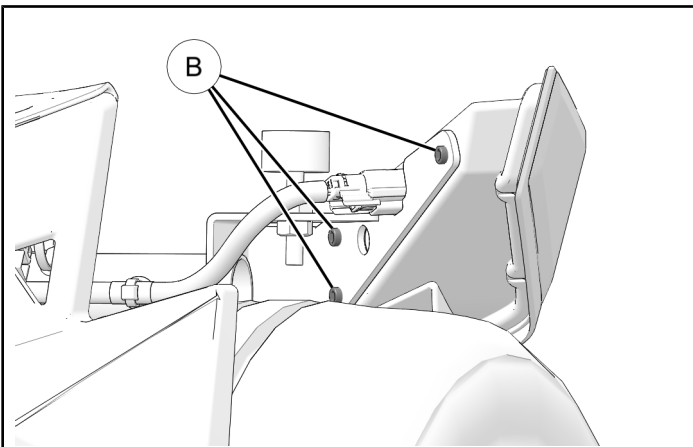
### PANEL INSTALLATION

1. Install new accent panel (1).

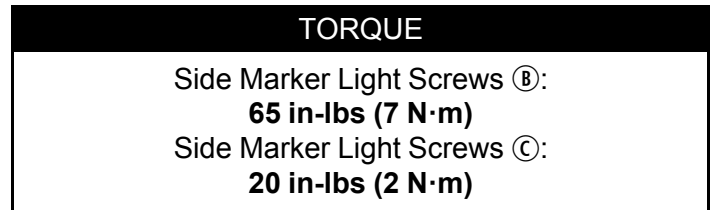
2. Install two outer accent panel screws ④. Torque screws to specification.



3. Loosely install side marker light.
4. Loosely install three screws ③ to back of side marker light. DO NOT torque screws at this time. Connect wiring harness connector.



5. Install one screw ③ to back of side marker light and torque all side marker light screws to specification.



6. Position upper accent light back into place.
7. Install three speed nuts ① to the back of the upper accent light. Torque nuts to specification. Connect wiring harness connector.



8. Repeat steps 1-7 of this section for opposite side.

## FEEDBACK FORM

A feedback form has been created for the installer to provide any comments, questions or concerns about the installation instructions. The form is viewable on mobile devices by scanning the QR code or by clicking [HERE](#) if viewing on a PC.

