

INFOTAINMENT CENTER KIT



SLINGSHOT

P/N 2882370

APPLICATION

MY17 and Newer Slingshot Models

BEFORE YOU BEGIN

Read these instructions and check to be sure all parts and tools are accounted for. Please retain these installation instructions for future reference and parts ordering information.

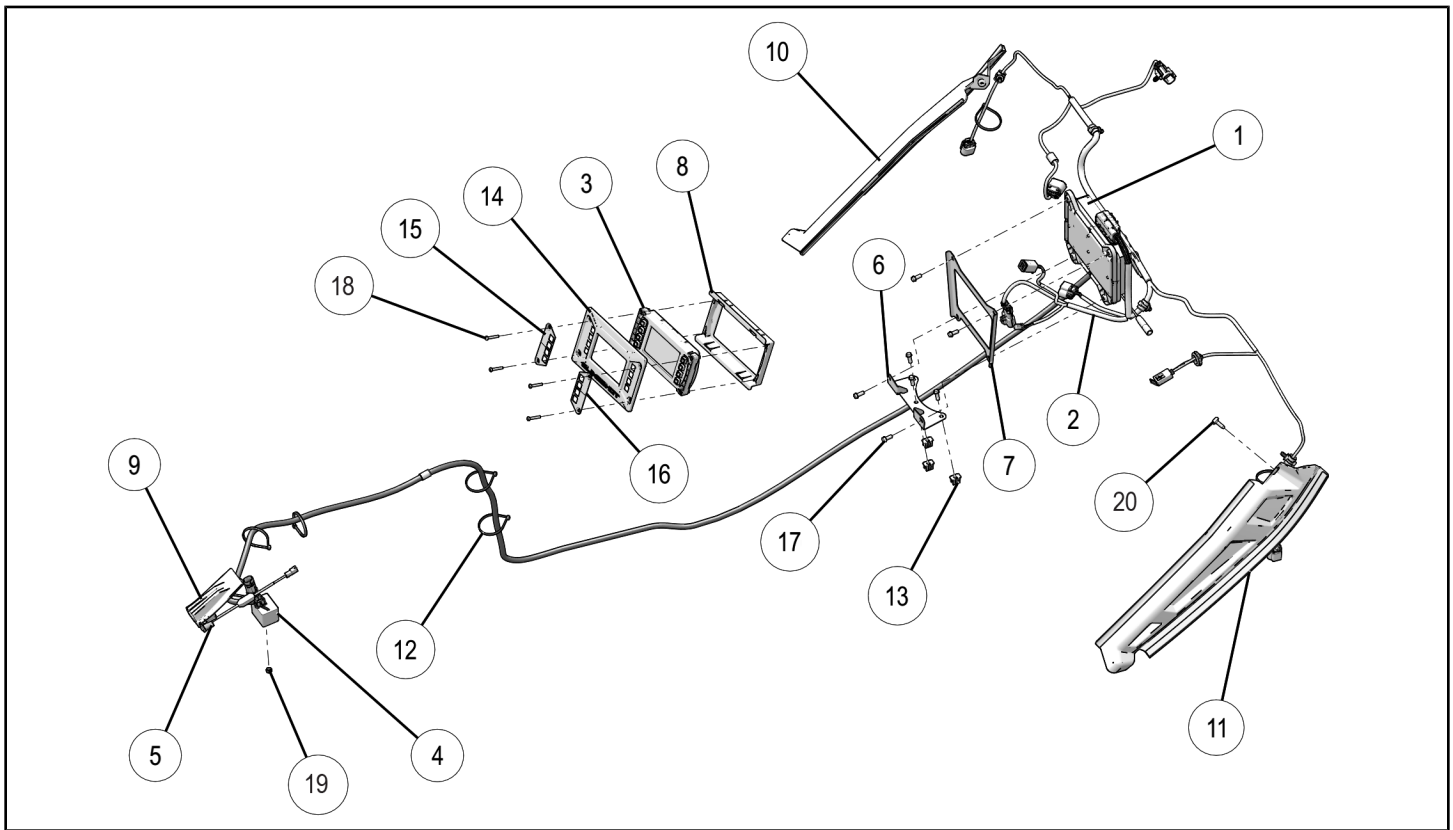
DISCLAIMER ACCESSORY WEIGHT

When adding accessories, equipment, passengers and luggage to your vehicle, do not exceed the total weight capacity of the vehicle or of the front or rear axle (GVWR or GAWR as indicated on the Safety Compliance Certification label). Ask an authorized dealer for specific weight information if you need assistance. It is the owner's responsibility to use the Polaris Slingshot Accessories website as a tool for limiting the amount of accessories, based on maximum allowable vehicle weight requirements. It may be a violation of the Clean Air Act or the NHTSA regulations to disregard these requirements. For a complete listing of the accessories that are available for your vehicle, please contact your authorized dealer or visit the online store web site:

Web Address (United States): <http://www.polaris.com/en-us/slingshot/shop/accessories>.

KIT CONTENTS

This Kit includes:



REF	QTY	PART DESCRIPTION	PART NUMBER
1	1	Radio Assembly, 50W X 2, Programmed	2412796
2	1	Radio Harness	2413692

REF	QTY	PART DESCRIPTION	PART NUMBER
3	1	Display, Radio	3280694
4	1	Antenna, Brake Light	4016187
5	1	Rear Camera Lens	4016539
6	1	Lower Mount, Radio Receiver	5259583
7	1	Upper Mount, Radio Receiver	5259584
8	1	Radio Display Mount	5451285
9	1	Camera Backup Mount	5452814
10	1	Speaker Cover, LH	5453784
11	1	Speaker Cover, RH	5453785
12	7	Panduit Strap	7080138
13	3	Expansion Clip, 6mm	7081304
14	1	Trim, Radio Display Bezel	7180685
15	1	Emblem, Radio, LH	7180929 - 070
16	1	Emblem, Radio, RH	7180930 - 070
17	7	Screw, Hex Flange - M6 X 1.0 X 16	7518548
18	4	Screw, Hex Button Head - M4 X 0.7 X 30	7520190
19	1	Nut - 6.0 X 1.0	7546703
20	2	Rivet - Tuflok, 0.315-0.325 X 0.787	7661855
	1	Instructions	9927668

TOOLS REQUIRED

- Safety Glasses
- 6mm Allen Wrench
- 2.5mm Allen Wrench
- 3/8" Ratchet
- T27 Torx® Driver
- 3" Extension
- T40 Torx® Driver
- 8mm Socket
- 10mm Socket
- Pliers
- Wire Cutters

IMPORTANT

Your INFOTAINMENT CENTER KIT is exclusively designed for your vehicle. Please read the installation instructions thoroughly before beginning. Installation is easier if the vehicle is clean and free of debris. For your safety, and to ensure a satisfactory installation, perform all installation steps correctly in the sequence shown.

ASSEMBLY TIME

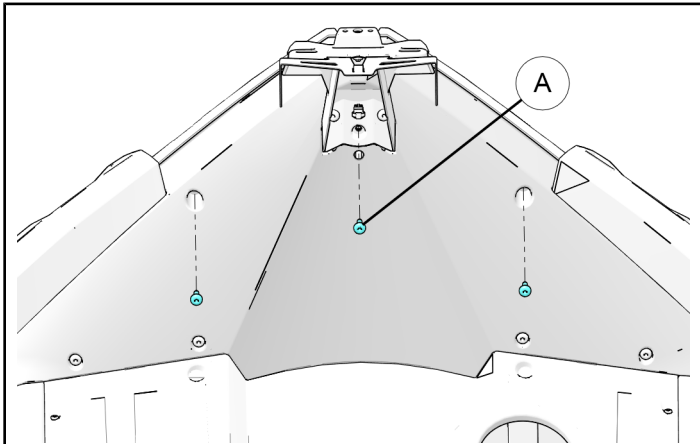
Approximately 3 hrs.

INSTALLATION INSTRUCTIONS

1. Put the transmission in "NEUTRAL" and turn key to the "OFF" position. Remove the key from vehicle. Apply the parking brake.

ANTENNA INSTALLATION

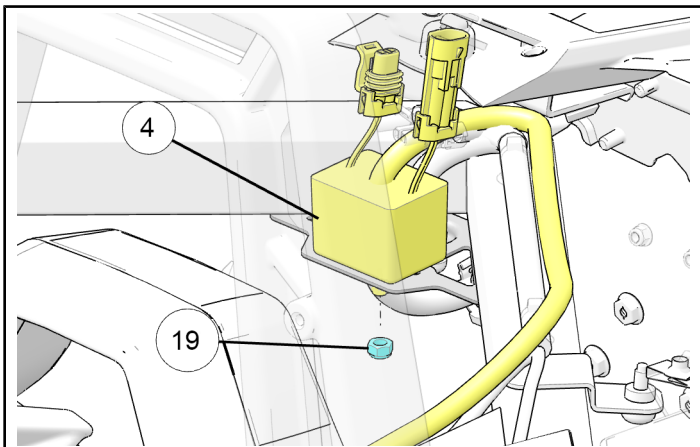
1. Unscrew the three fasteners (A) from rear underside body work. This will allow you to separate the top and bottom plastic bodywork.



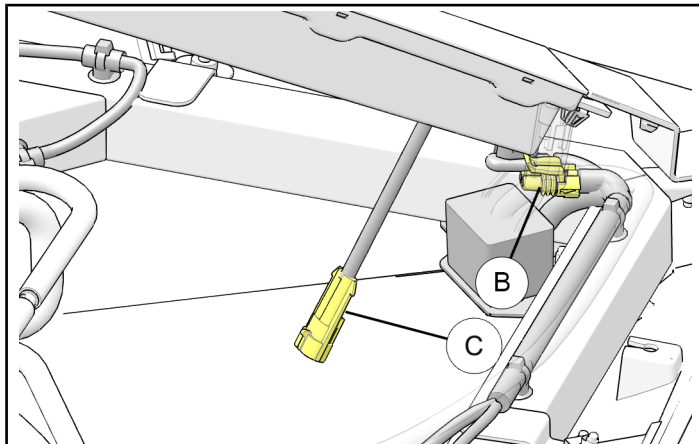
2. Install the antenna box (4) onto the chassis bracket and secure in place using nut (19). Use a 10 mm wrench for fastener installation. Tighten nut to specification.

TORQUE

84 in. lbs. (9.5 Nm)



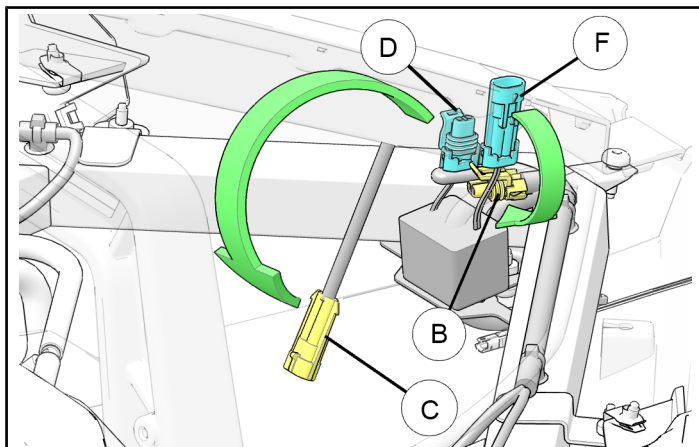
3. Locate the brake light electrical connector and disconnect male (B) and female (C) connectors as shown.



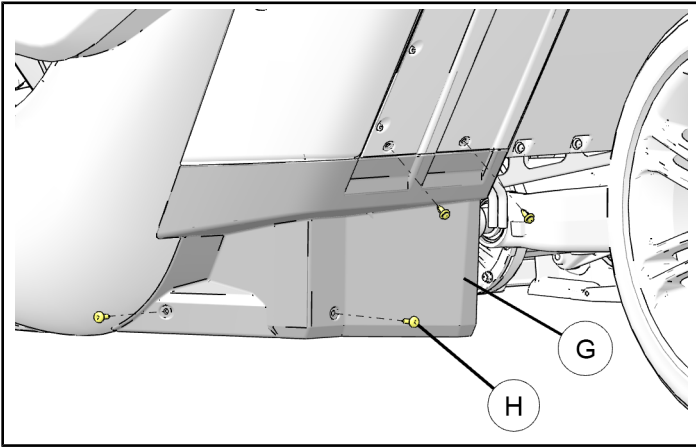
4. Plug the female connector (C) of brake light into the male connector (D) of the radio antenna. Similarly, plug the male connector (B) of brake light into the female connector (F) of the radio antenna as shown. Using floor lift, raise the vehicle off the ground at this time.

⚠ WARNING

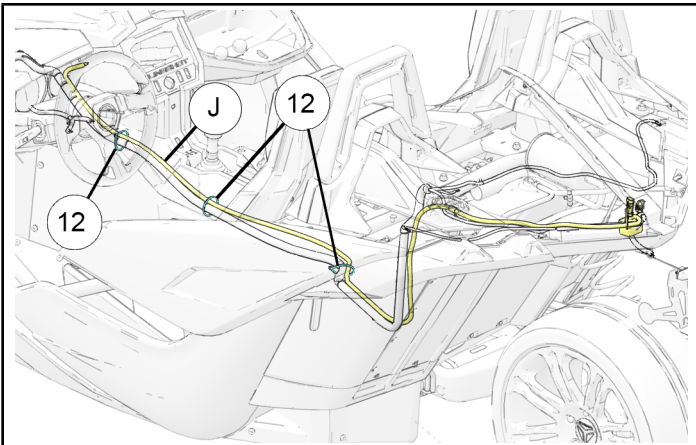
Serious injury may result if the vehicle tips or falls. Be sure the vehicle is secure before beginning lifting. Always wear eye protection.



- Remove the plastic battery cover (G) by removing three screws (H).



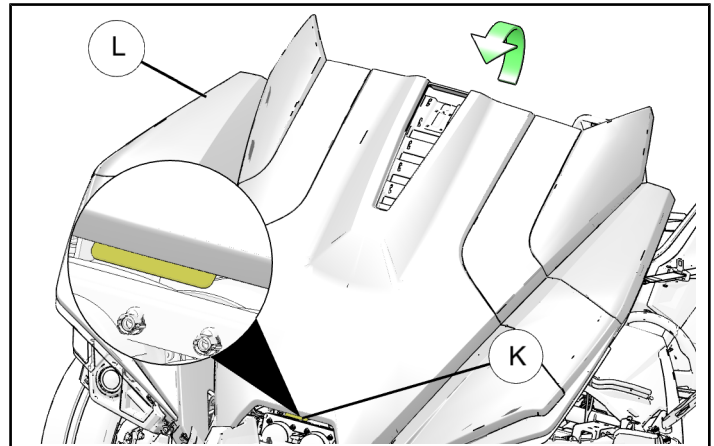
- Using a rigid piece of wire, work the wire up from the battery access area to the antenna ④. Use the electrical harness as your routing guide.
- Connect the antenna harness ① to the wire and pull it down to the battery area.
- With the vehicle lifted, route the antenna wire ① to the front of the vehicle following the electrical harness routing as shown. Be sure to route above all cross members in the transmission tunnel. Install Panduit straps ⑫ to secure antenna harness to electrical harness as shown.



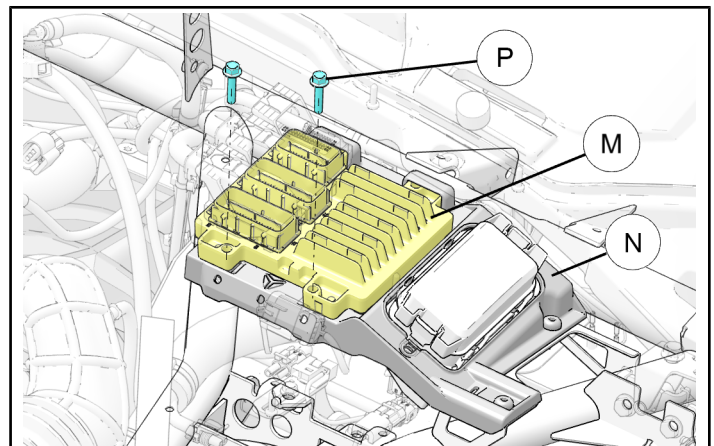
- Reinstall the plastic battery cover (G). Leave the underside body work unscrewed for future steps.

RADIO HARNESS INSTALLATION

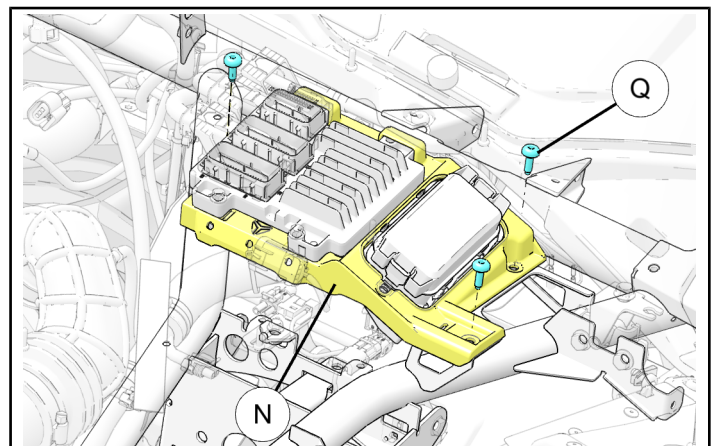
- Pull the latch (K) and open the front hood (L) by tilting it to the maximum position.



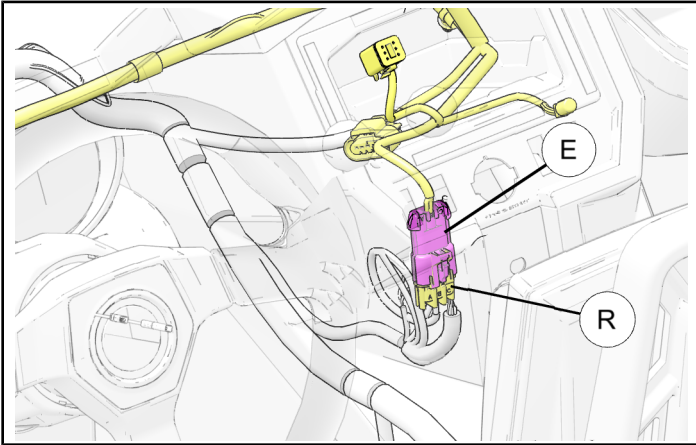
- Remove the ECM (M) from plastic mount (N) by removing two screws (P).



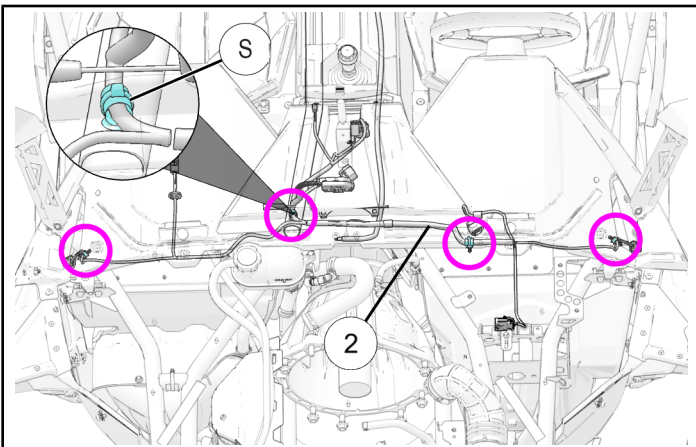
- Remove the plastic mount (N) from chassis by removing three screws (Q).



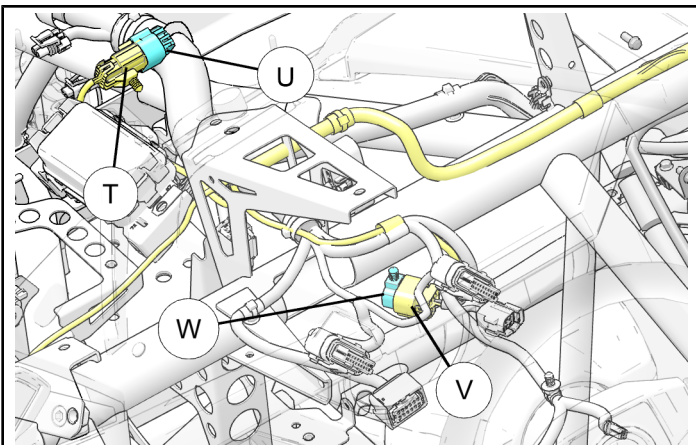
4. Connect the 3-cavity power connector (E) from the radio harness ② to the mating 3-cavity power connector (R) on the main harness through the opening in the center console where the storage compartment used to be.



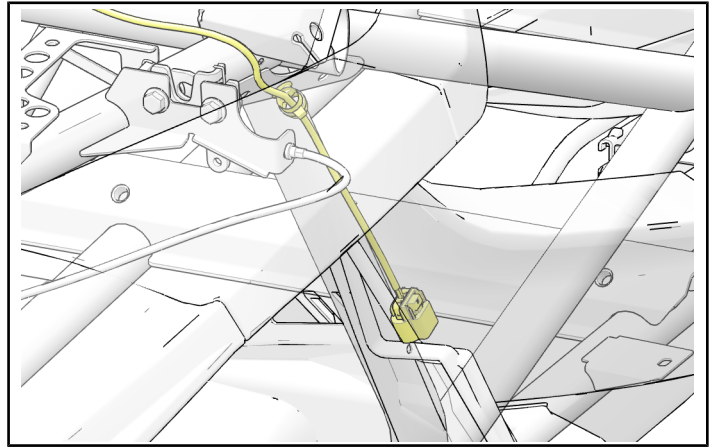
5. Route the radio harness ② as shown and push the X-mas tree clips (S) into the corresponding holes in the frame.



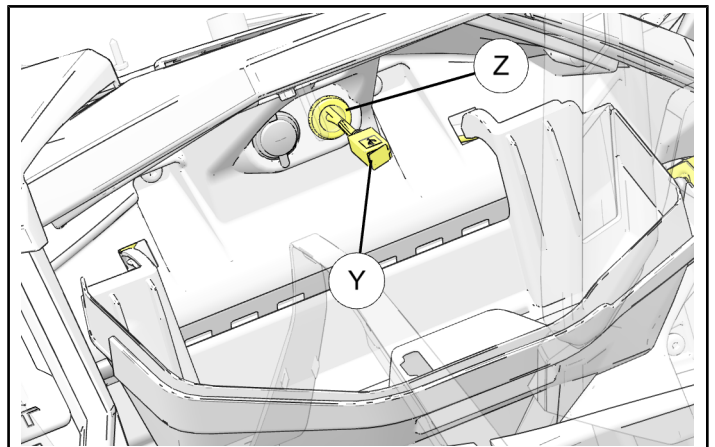
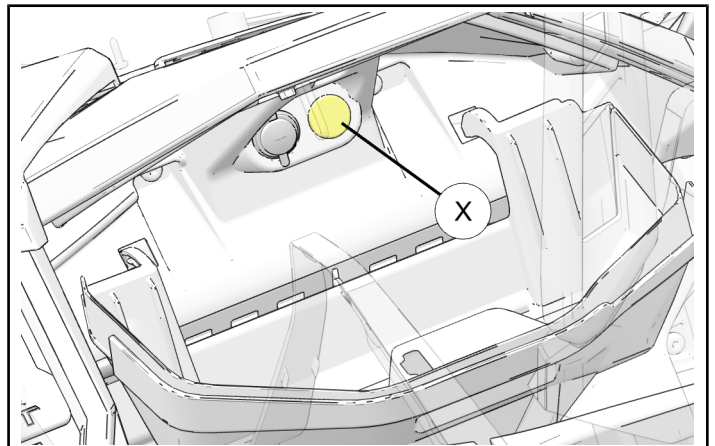
6. Connect the diagnostic mate (T) on the radio harness ② to the diagnostic plug (U) under the steering column and relocate by ECM mount (M). Route the new diagnostic connector (V) under steering column and secure where original connector (W) was located.



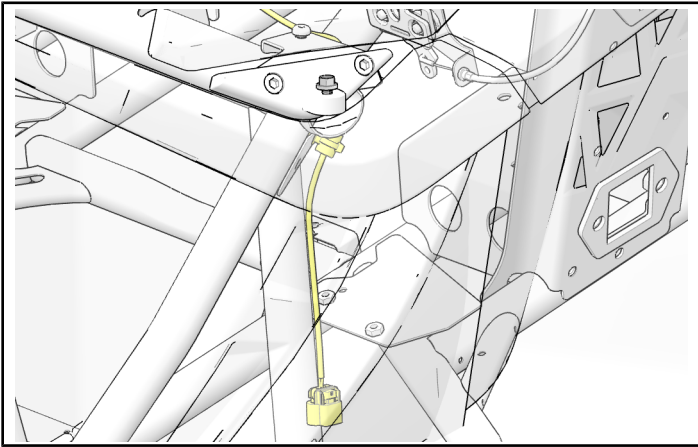
7. Route RH speaker wire to outside of the frame and under the outside frame joint as shown.



8. Remove the rubber plug (X) from the glove box and insert the USB connector (Y) through the hole until the grommet (Z) is fully seated as shown.

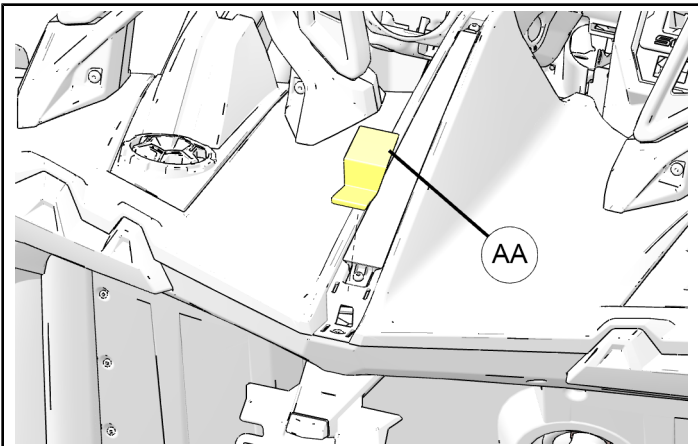


9. Route LH speaker wire to outside of frame and under the outside frame joint as shown.

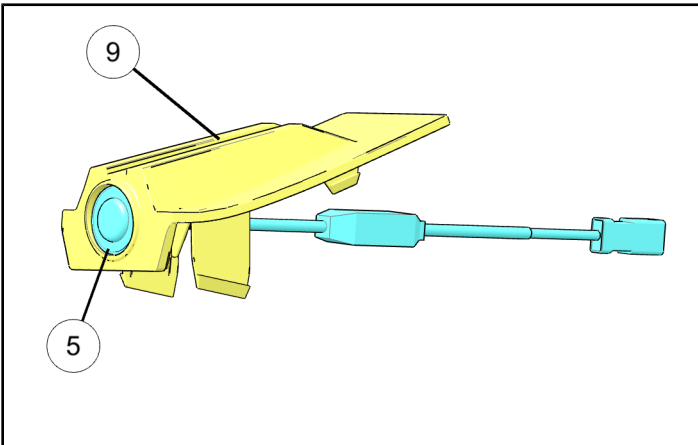


REAR CAMERA INSTALLATION

1. Remove the trim (AA) from rear body as shown and discard it.



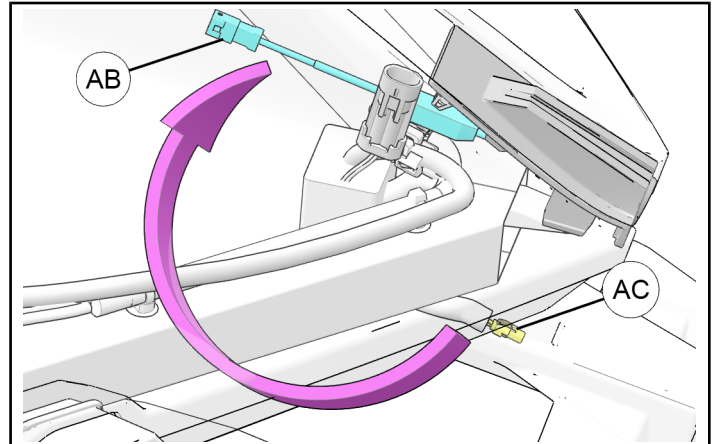
2. Snap fit the camera (5) into the camera mount (9) as shown. Make sure to align the orientation sticker with the arrow.



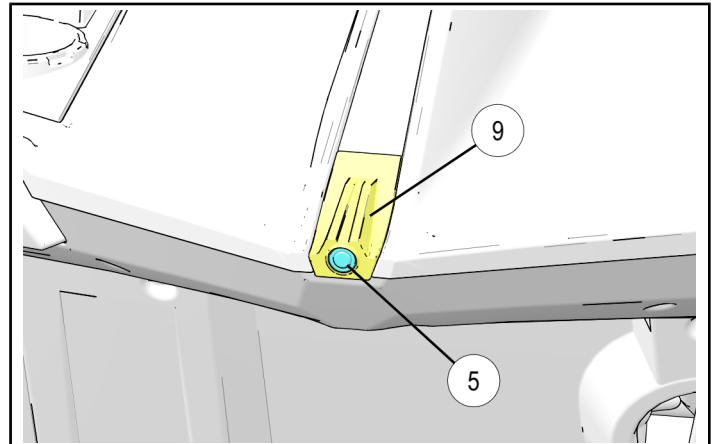
3. Connect the camera wire connector (AB) to the mating connector (AC) which is already present on the vehicle harness.

NOTE

Connector (AC) is taped to the bundle near the license plate wire bundle.



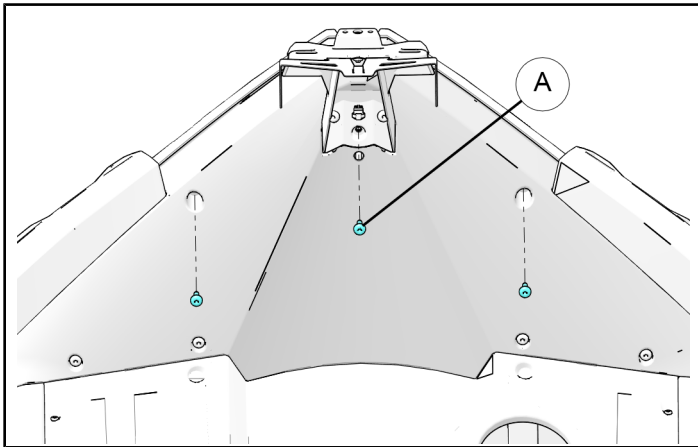
4. Snap the plastic camera mount (9) into place as shown.



- Reinstall the three fasteners (A) removed in Step 1 of "Antenna Installation" section. Torque screws to specification.

TORQUE

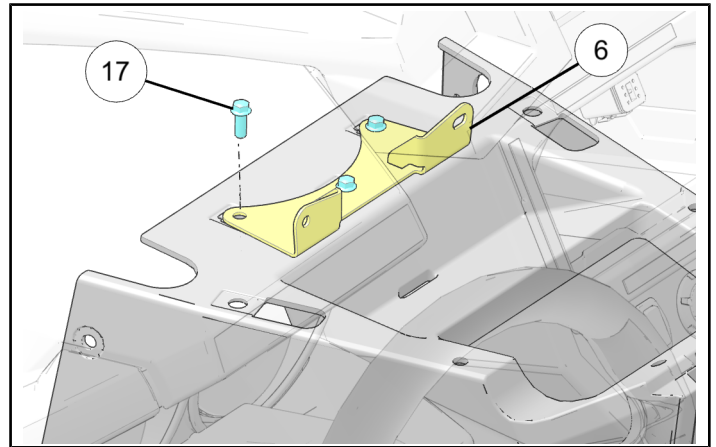
6 ft. lbs. (8.2 Nm)



- Install the lower mounting bracket (6) to the vehicle by inserting three screws (17) into the expansion clips (13). Torque screws to specification.

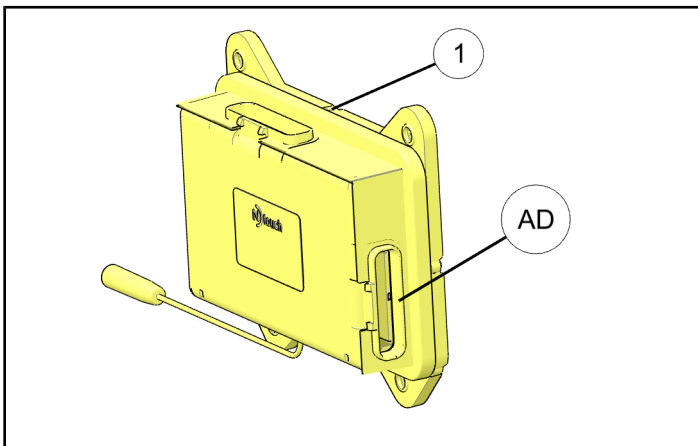
TORQUE

6 ft. lbs. (8.2 Nm)



RADIO INSTALLATION

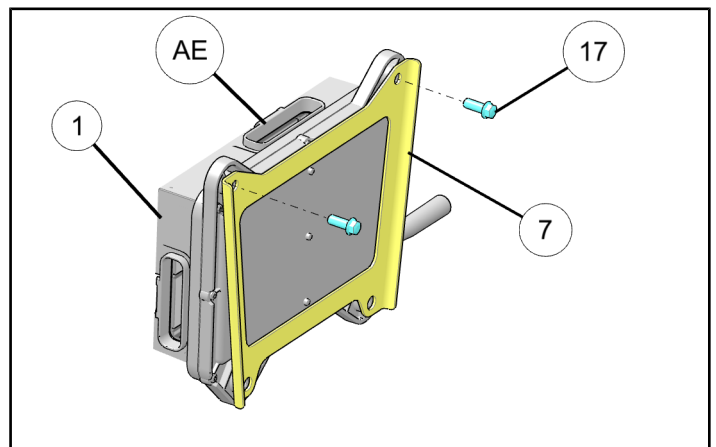
- Install the rubber connector plug into the 32 pin connector (AD) on the short side of the radio.



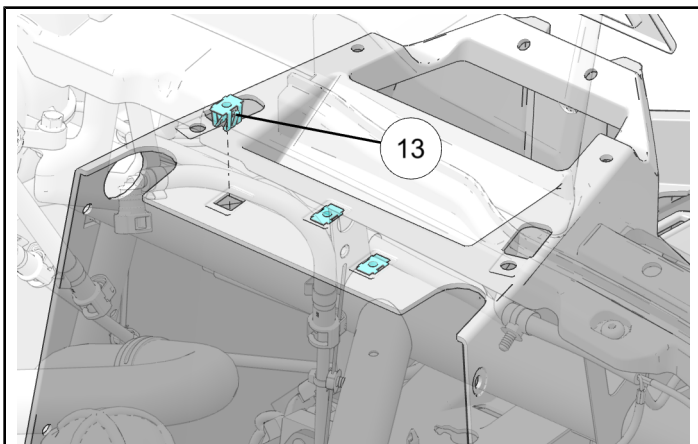
- Install radio (1) to the upper mounting bracket (7) with the 36 pin connector (AE) on the long side of the radio facing up using two screws (17) through the top two holes in the bracket and into the threaded inserts in the radio. The flange on the bracket should be facing away from the radio, and the bracket should rest against the flat side of the radio as shown. Torque screws to specification.

TORQUE

6 ft. lbs. (8.2 Nm).



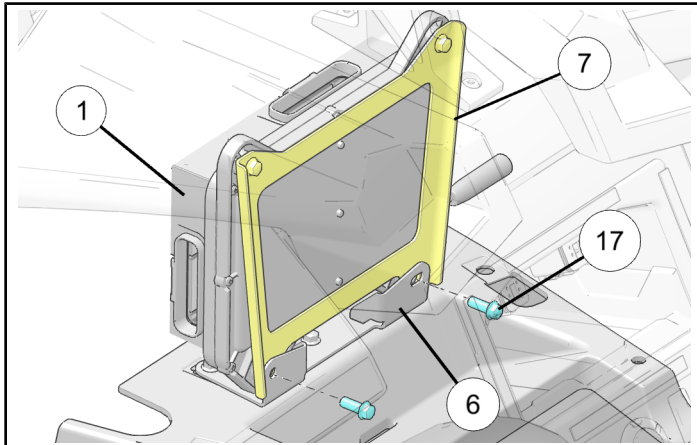
- Install three expansion clips (13) into the plastic inner dash support as shown.



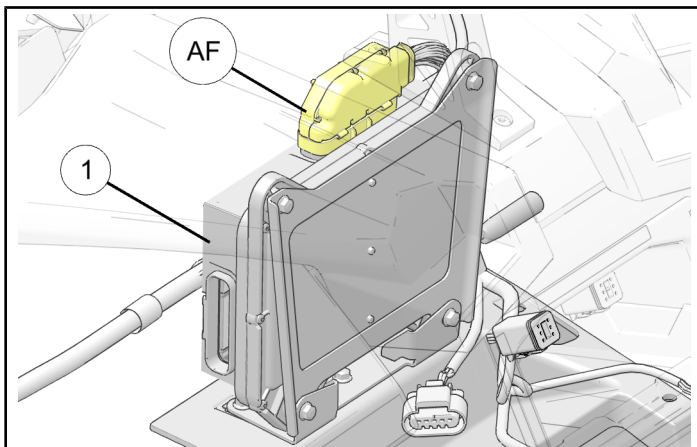
5. Install the upper bracket (7) and radio assembly to the lower bracket (6) by placing the upper bracket behind the mounting flange on the lower bracket (6). Insert two screws (17) through the lower bracket, the lower two holes in the upper bracket, and into the threaded inserts in the radio. Torque screws to specification.

TORQUE

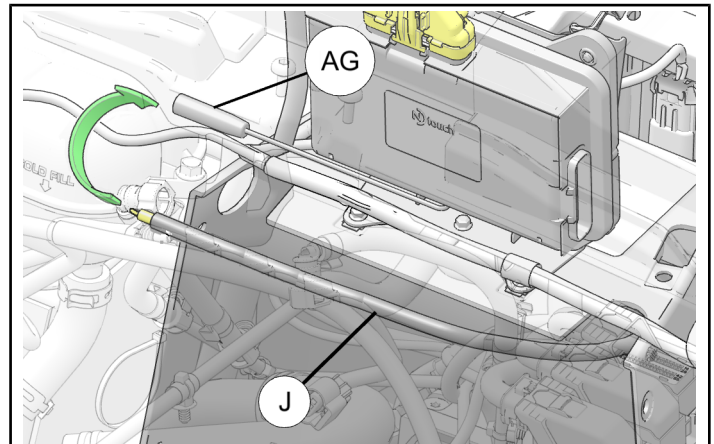
6 ft. lbs. (8.2 Nm).



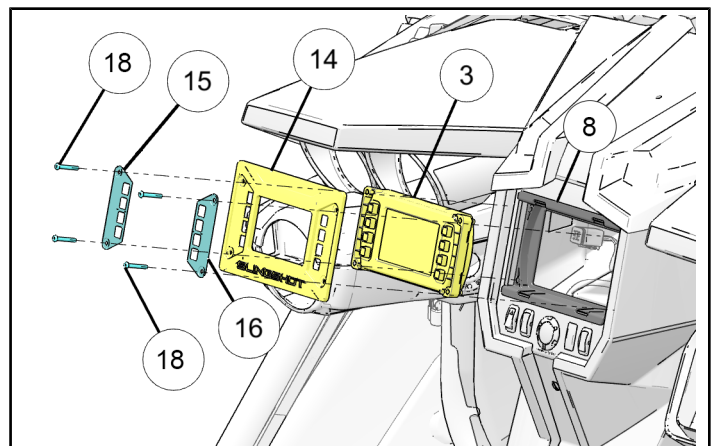
6. Connect the 36 pin large gray connector (AF) from the radio harness to the top of the radio. Make sure it locks into place by gently pulling on it.



7. Route antenna wire (J) over the top of the front frame tube and back to the radio and connect to the female pigtail (AG) coming out of the radio. Push until fully seated.



RADIO DISPLAY INSTALLATION



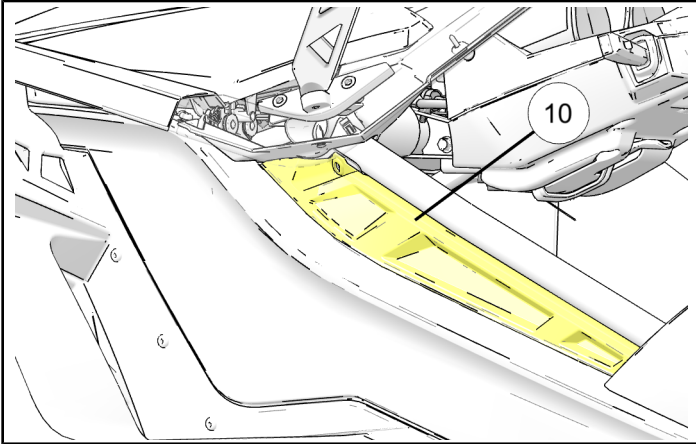
1. Install radio display mount (8) to the main visor by snapping it into place as shown.
2. Install radio display (3) into the mount (8) with the electrical connectors to the bottom side.
3. Connect radio harness (2) wire labeled "B" to the "B" port on the back of display.
4. Connect the main harness wire labeled "BU_Display(D)" to the "D" port on the back of the display.
5. Remove adhesive backing from LH and RH radio emblems (15) (16) and install onto trim (14) by aligning holes.
6. Install radio trim (14) onto the radio display (3) with Slingshot to the bottom side and secure radio display assembly in place using four mounting screws (18) as shown. Torque screws to specification.

TORQUE

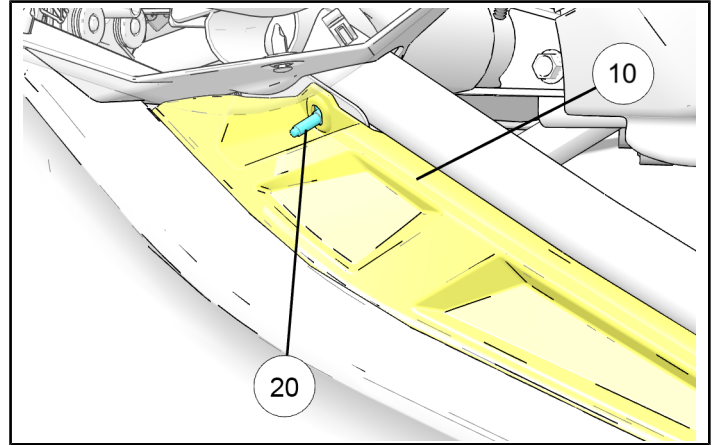
36 in. lbs. (4 Nm)

SPEAKER COVER INSTALLATION

1. Start with the driver side, place the speaker cover ⑩ along the bar and body plastic as shown.



2. Use a tuflok® rivet ⑳ to attach the speaker cover ⑩ to the chassis.



3. Repeat for passenger side speaker cover installation ⑪.