



P/N 2882250-XXX, 2884061-XXX

IMPORTANT

Due to the technical nature of this kit, Polaris® insists that this installation be performed by a certified Slingshot® technician.

BEFORE YOU BEGIN

Read these instructions and check to be sure all parts and tools are accounted for. Please retain these installation instructions for future reference and parts ordering information.

APPLICATION

Verify accessory fitment at www.polarisslingshot.com.

DISCLAIMER ACCESSORY WEIGHT

When adding accessories, equipment, passengers and luggage to your vehicle, do not exceed the total weight capacity of the vehicle or of the front or rear axle (GVWR or GAWR as indicated on the Safety Compliance Certification label). Ask an authorized dealer for specific weight information if you need assistance. It is the owner's responsibility to use the Polaris Slingshot Accessories website as a tool for limiting the amount of accessories, based on maximum allowable vehicle weight requirements. It may be a violation of the Clean Air Act or the NHTSA regulations to disregard these requirements. For a complete listing of the accessories that are available for your vehicle, please contact your authorized dealer or visit the online store web site: Web Address (United States): <http://www.polaris.com/en-us/slingshot/shop/accessories>.

⚠ CAUTION

Always secure Slingshade® latches during vehicle operation.

Failure to secure latches may result in unintended opening or release, causing injury to others and/or damage to Slingshade®

⚠ WARNING

- This top is not a safety device or roll cage. It is not intended to protect vehicle occupants in the event of a rollover or other unforeseeable events.
- This top is not a roof and is not intended to haul cargo. NEVER attach, strap, or haul objects of any type or weight on this top.
- This top is not intended to contain or restrain the occupant(s) or provide additional safety protection. ALWAYS wear a full face helmet, seat belt, and other safety equipment as outlined in your vehicle's owner's manual.

Failure to follow these warning could lead to serious injury or death.

⚠ CAUTION

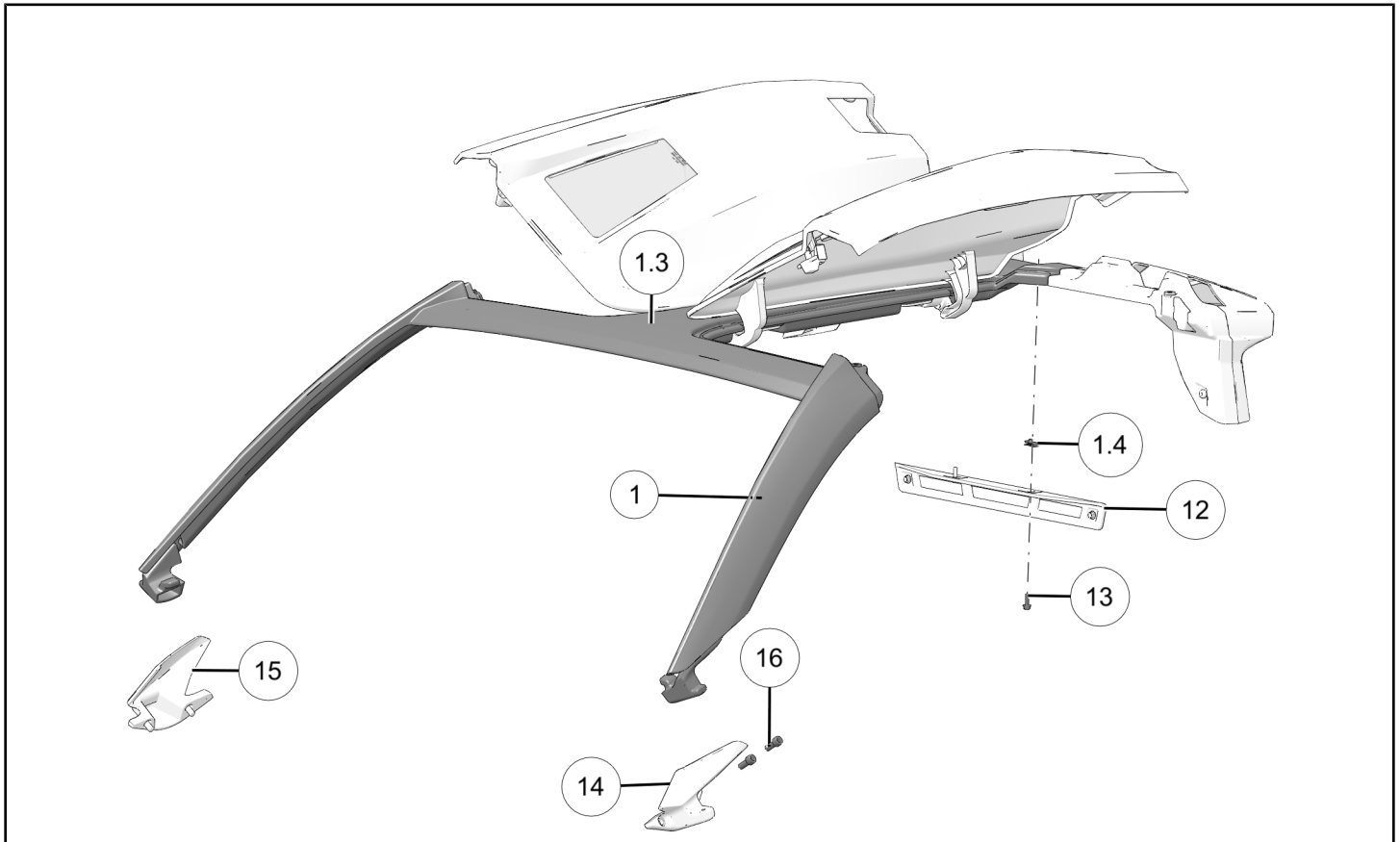
- Use caution during ingress and egress when Slingshade® is installed.
- Always open Slingshade® door when folding seat forward to access storage. Failure to do so may result in forceful contact between seat and Slingshade® door, resulting in damage to accessory.
- Ensure Slingshade® doors are in the closed position when vehicle is being stored. Failure to do so may result in distortion of door panel causing improper fitment.

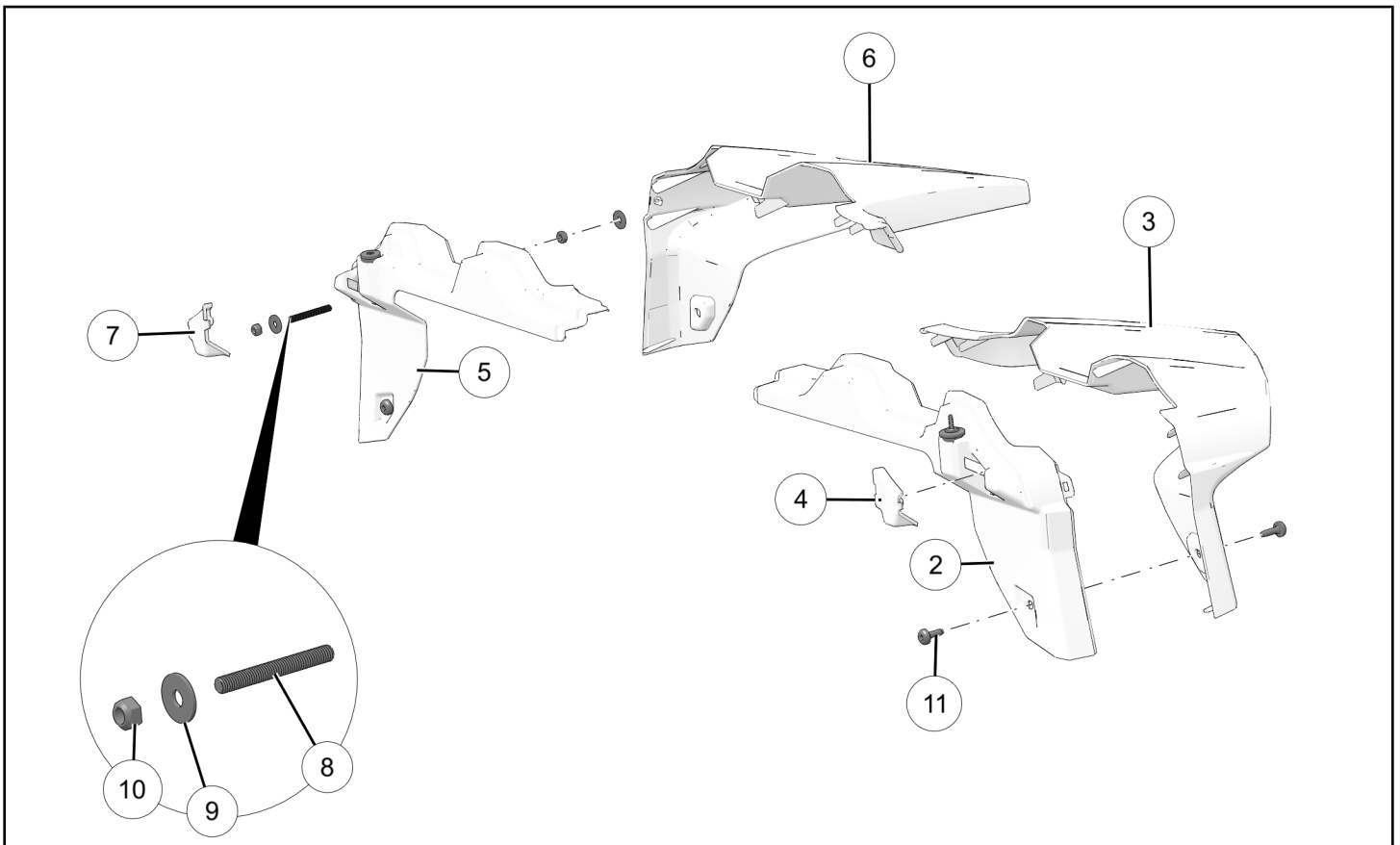
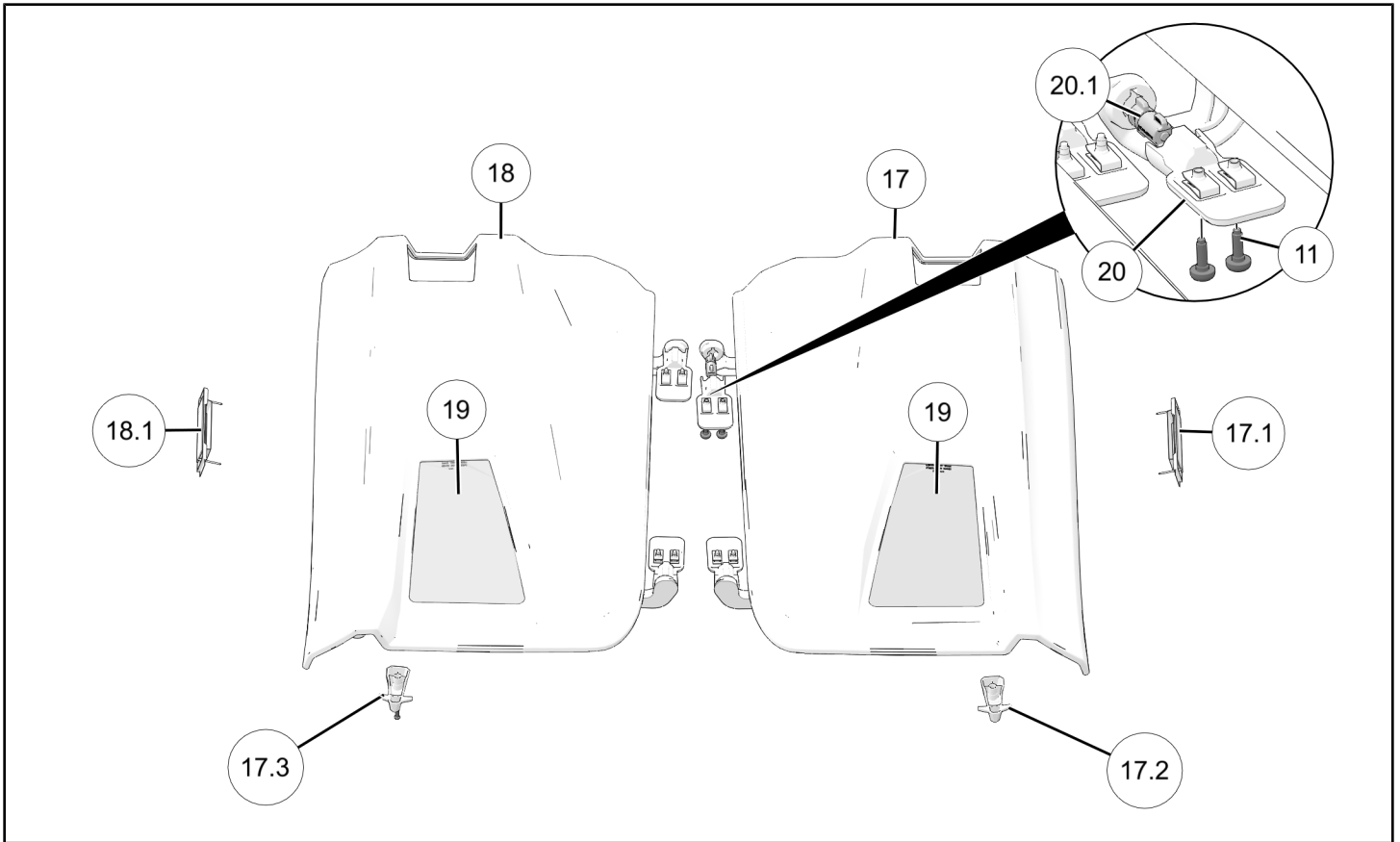
REQUIRED SOLD SEPARATELY

Only parts for installation of the Slingshade® Kit are included. For complete installation on vehicles with steel roll hoops, the following additional kit is required (sold separately):

- *Aluminum Roll Hoops Kit, P/N 2889423*

KIT CONTENTS





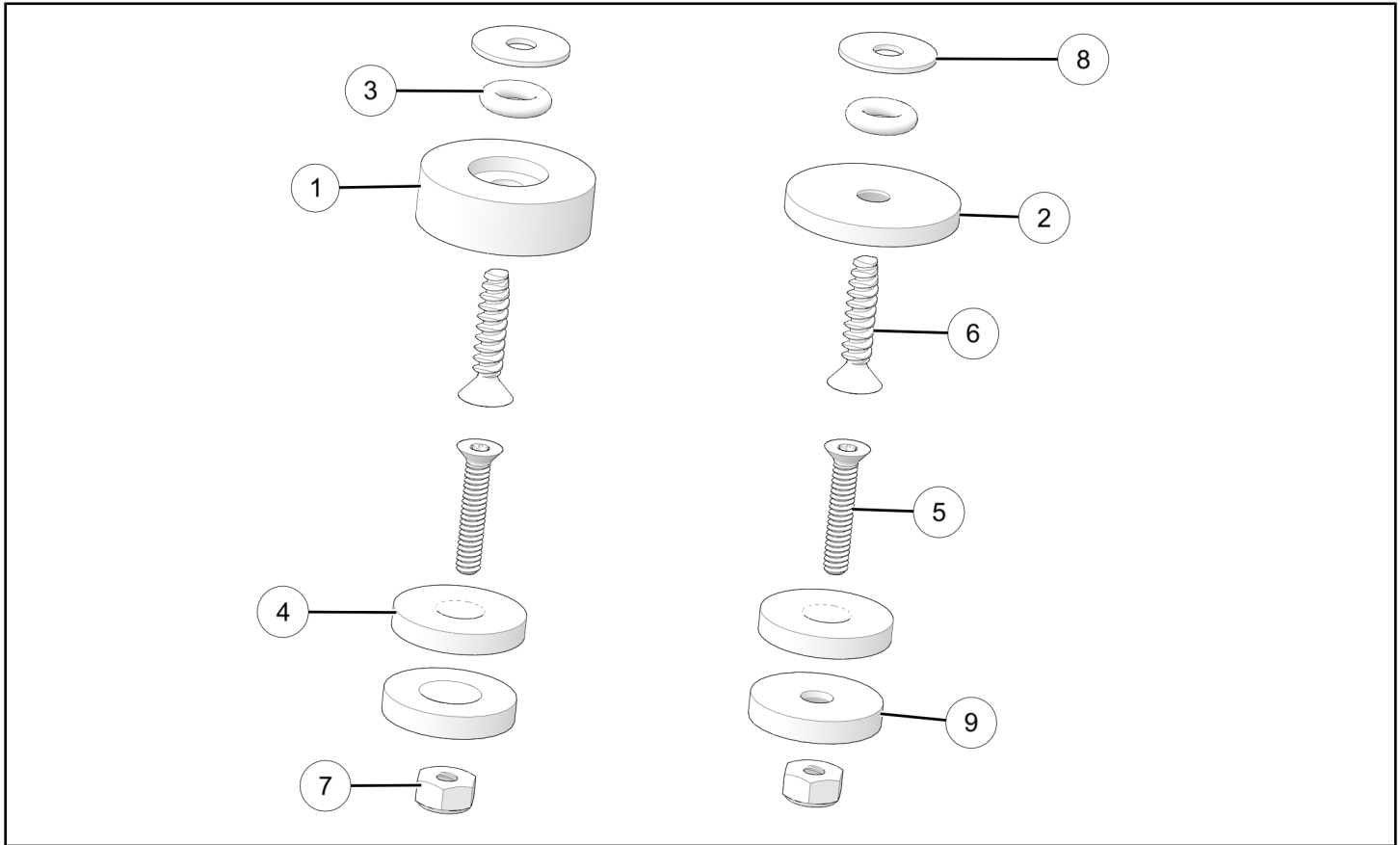
NOTE

XXX = Slingshot® Color Code (For Example: 070 = Gloss Black)

REF	QTY	PART DESCRIPTION	P/N AVAILABLE SEPARATELY
1	1	Assembly, Slingshade®, T-Top (model year 2017-2019) Assembly, Slingshade®, T-Top (model year 2020 and newer)	2636619-XXX 2637480-XXX
1.1	1	- Slingshade®, Frame Liner, Front, Left-Hand (not shown)	8320230
1.2	1	- Slingshade®, Frame Liner, Front, Right-Hand (not shown)	8320231
1.3	1	- Frame–Slingshade®, Outer (model year 2017-2019) - Frame–Slingshade®, Outer (model year 2020 and newer)	5453486-XXX 2637580-XXX
1.4	10	- Nut–Clip	7081305
2	1	Fin, Inner, Slingshade®, Left-Hand	2636665–XXX
2.1	1	- Slingshade®, Frame Liner, Rear, Left-Hand (not shown)	8320232
3	1	Fin, Outer, Slingshade®, Left-Hand	5453482–XXX
4	1	Fin, Inner Cover, Slingshade®, Left-Hand	5454114–XXX
5	1	Fin, Inner, Slingshade®, Right-Hand	2636666–XXX
5.1	1	- Slingshade®, Frame Liner, Rear, Right-Hand (not shown)	8320232
6	1	Fin, Outer, Slingshade®, Right-Hand	5453483–XXX
7	1	Fin, Inner Cover, Slingshade®, Right-Hand	5454115–XXX
8	2	Stud, M6 x 1 mm x 50 mm	7520707
9	4	Washer, 6.4 x 18.0 x 1.6	7556064
10	4	Nut, Hex Head, M6	7547120
11	12	Screw, Torx® Bit Head, M6 x 1.0 x 15 mm	7520011
12	1	Slingshade®, Brace, Rear	5140804–XXX
13	4	Screw, Hex Flange, M6 x 1.0 x 20	7520122
14	1	Slingshade®, Mirror, Mount, Left-Hand	5140802–XXX
15	1	Slingshade®, Mirror, Mount, Right-Hand	5140803–XXX
16	4	Screw, Hex Bit Head, M10 X 1.5 X 25	7517358
17	1	Assembly, T-Top, Door, Left-Hand	2636952–XXX
17.1	1	- Assembly, Slingshade®, Handle	2636620
17.2	1	- Latch, Knob, Left-Hand (see <i>Service Part Detail</i> section)	n/a
18	1	Assembly, T-Top, Door, Right-Hand	2636953–XXX
18.1	1	- Assembly, Slingshade®, Handle	2636620
18.2	1	- Latch, Knob, Right-Hand (see <i>Service Part Detail</i> section)	n/a
19	2	T-Top, Window, Tinted	5453490
20	4	T-Top, Hinge	5454395
20.1	4	- T-Top, Friction Hinge	7082238

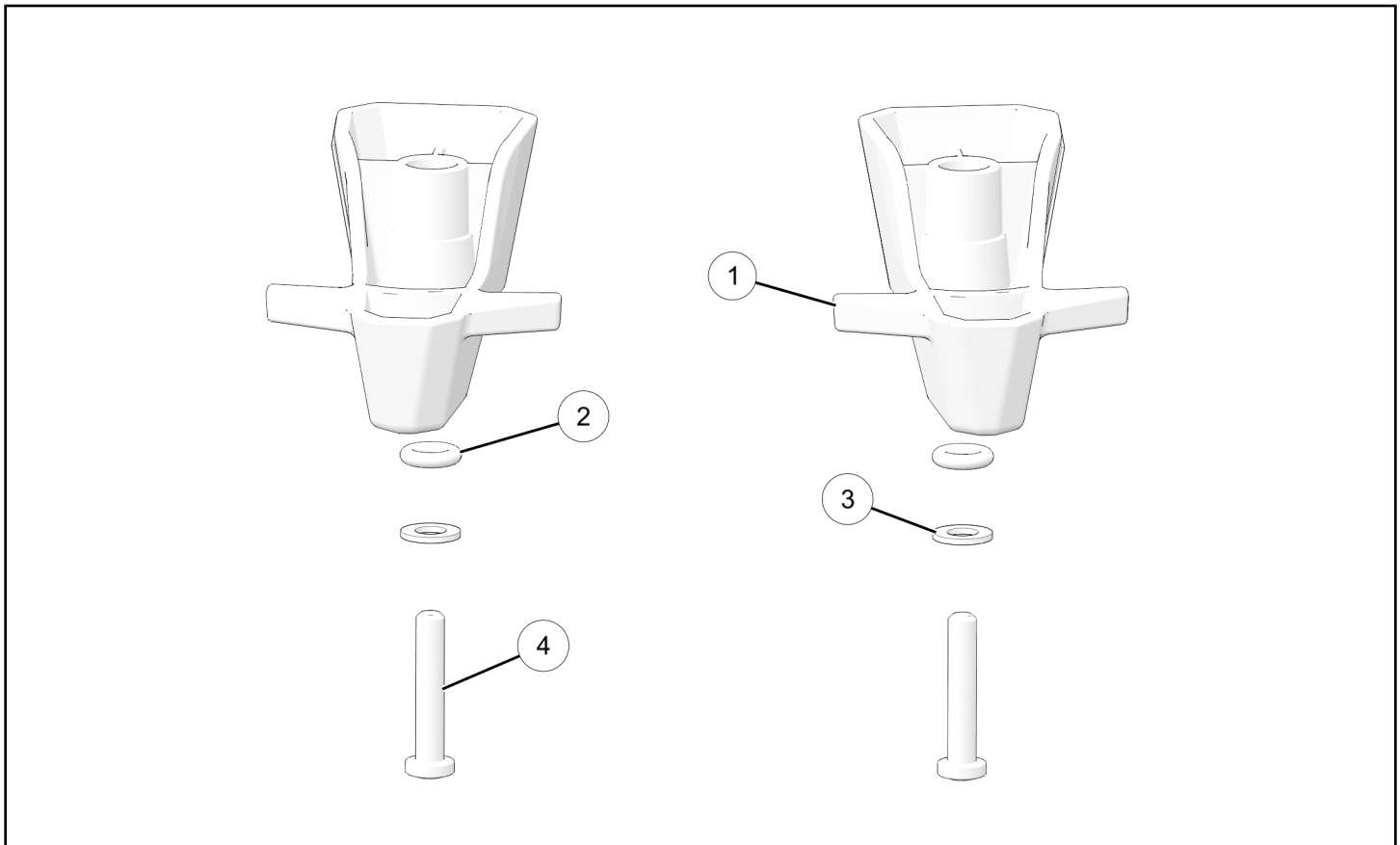
SERVICE PART DETAIL

MAGNET HARDWARE KIT, P/N 2207275



REF	QTY	PART DESCRIPTION	AVAILABLE SERVICE KIT
1	1	Slingshade®, Front Washer	2207275
2	1	Slingshade®, Rear Washer	2207275
3	2	O-Ring	2207275
4	2	Magnet–Slingshade®, Door	2207275
5	2	Screw–Machine, #6 x 32 x 3.4 in	2207275
6	2	Screw–Torx® Truss Head, #8 x 16 x 3.4 in	2207275
7	2	Nut–Nylon Lock, #6 x 32	2207275
8	2	Washer, 4.3 x 14. x 0.8	2207275
9	2	Washer, 0.75	2207275

LATCH SERVICE KIT, P/N 2207743, 2207744



REF	QTY	PART DESCRIPTION	AVAILABLE SERVICE KIT
1	1	Assembly–Slingshade® Latch, Left Assembly–Slingshade® Latch, Right	2207743 2207744
2	1	O-Ring	2207743 2207744
3	1	Screw–Torx® Pan Head, #10 x 1.0, Hi/Lo	2207743 2207744
4	1	Washer, 5.3 x 10 x 1	2207743 2207744

TOOLS REQUIRED

- Safety Glasses
- Hex Key Set, Metric
- Socket Set, Hex Bit, Metric
- Socket Set, Torx® Bit
- Torque Wrench
- Stud Installer Set

IMPORTANT

Your Slingshade® Kit is exclusively designed for your vehicle. Please read the installation instructions thoroughly before beginning. Installation is easier if the vehicle is clean and free of debris. For your safety, and to ensure a satisfactory installation, perform all installation steps correctly in the sequence shown.

INSTALLATION INSTRUCTIONS

VEHICLE PREPARATION

GENERAL

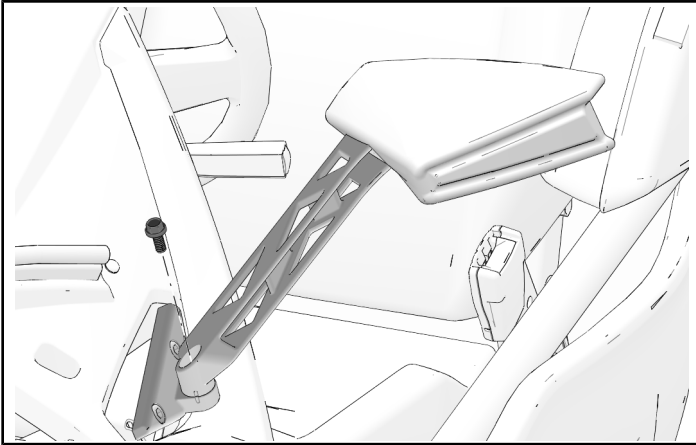
1. Shift vehicle transmission into NEUTRAL. Turn key to OFF position and remove from vehicle. Apply parking brake.

SIDE MIRROR REMOVAL

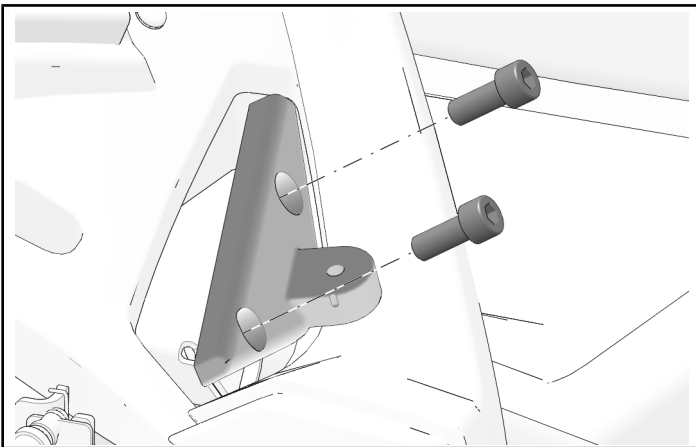
NOTE

Driver side mirror shown; passenger side mirror similar.

1. Open vehicle hood to ease mirror removal.
2. Remove one mirror fastener to remove side mirror.



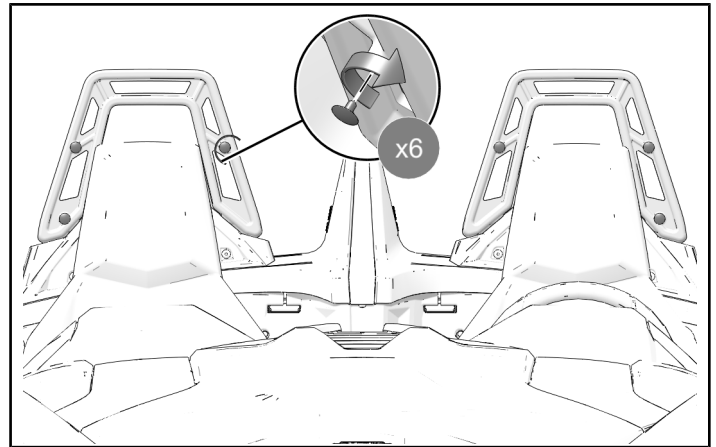
3. Remove two mounting plate fasteners and mounting plate from vehicle.



ACCESSORY INSTALLATION

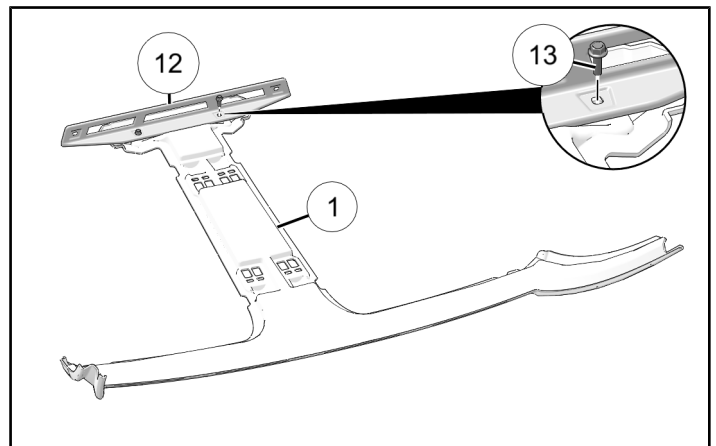
T-TOP INSTALLATION

1. Twist and remove six fir tree clips from rollover hoops.



2. Attach rear brace (12) to rear of T-top (1) using two brace fasteners (13).

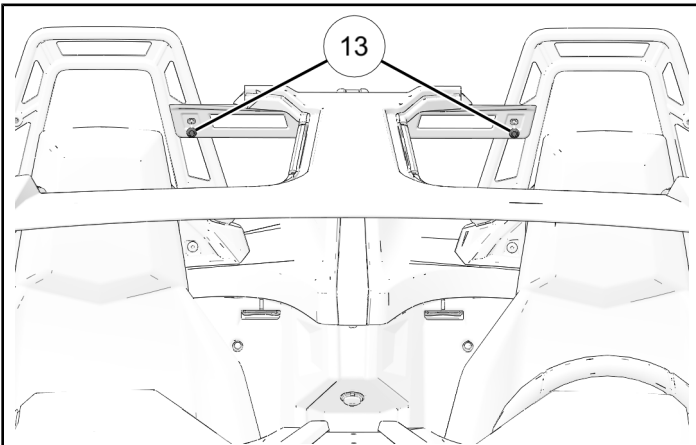
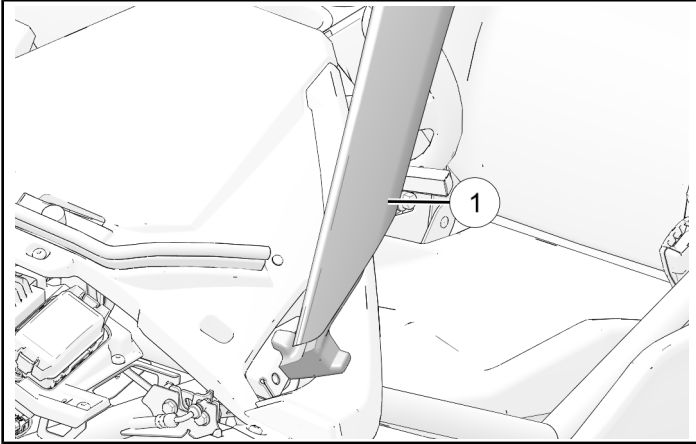
Do not torque two brace fasteners (13) at this time.



3. Set front pillars of T-top assembly ① on side mirror mount bases. Loosely install rear brace to rollover hoops with two brace fasteners ⑬

⚠ CAUTION

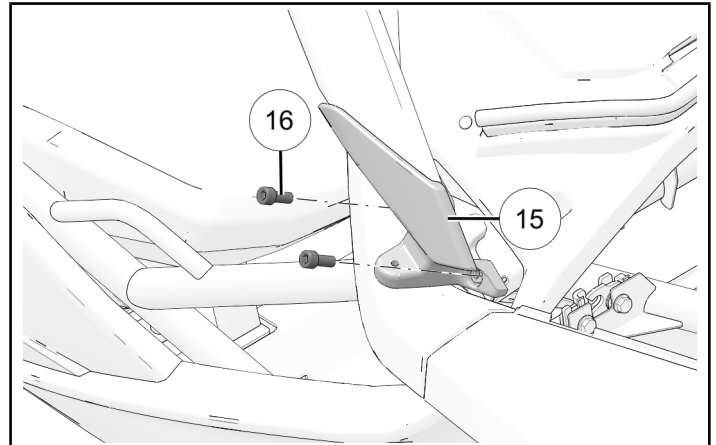
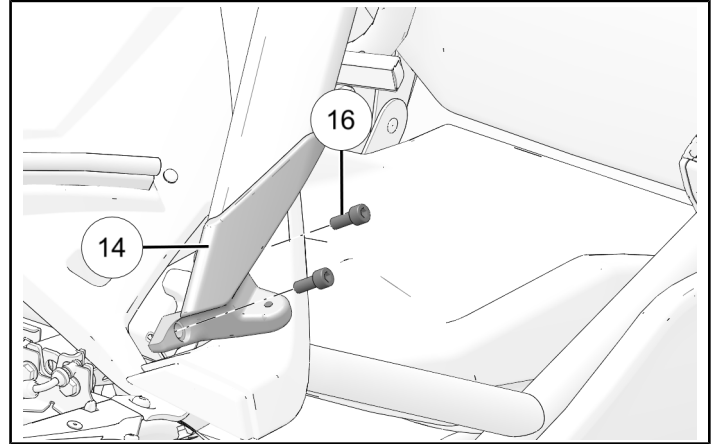
Use two people when installing T-top assembly to avoid roof and/or vehicle paint damage.



4. Install mirror mounts ⑭ and ⑮ to mirror mount base with two mirror mount fasteners ⑯ per mount.

TORQUE

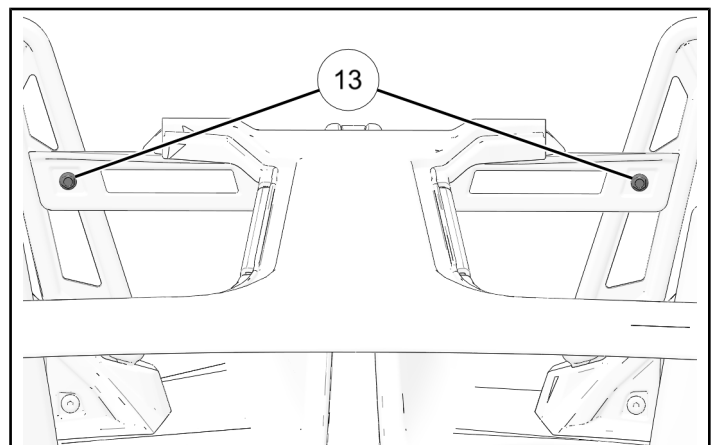
Mirror Mount Fasteners ⑯:
35 ft-lbs (48 N·m)



5. Center brace fasteners ⑬ in each slot and torque to specification.

TORQUE

Brace Fasteners ⑬:
65 in-lbs (7 N·m)

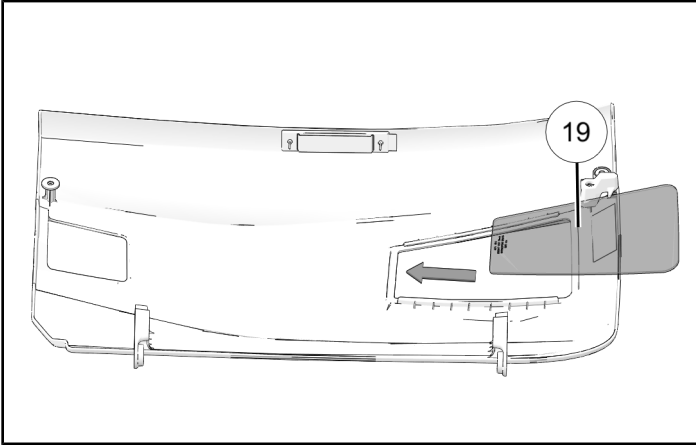


DOOR INSTALLATION

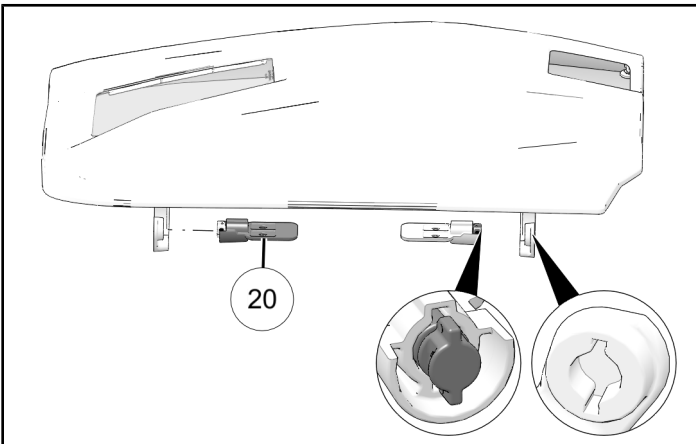
NOTE

Passenger door shown; driver door similar.

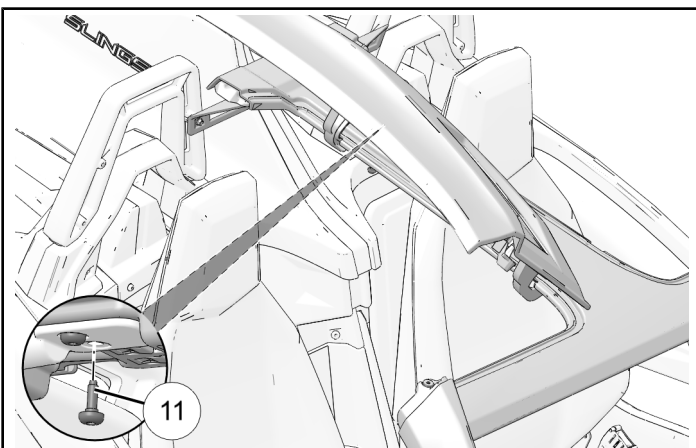
1. Slide door window ⑱ into grooves around window frame and press back end into place.



2. Align tabs of hinges ⑳ with arms of door (shown with inset) and insert into passenger door arms with smooth side facing down.



3. Hold passenger door vertical, and align hinges to T-top with smooth side facing down. Hand tighten two screws ㉑ per hinge. Rotate door down in a closing manner to seat hinges.



INNER FIN INSTALLATION

NOTE

Passenger side shown; driver side similar.

1. Hand install one stud ⑧ into passenger roll hoop. Torque stud to specification with one of two options:

- Stud Installer
- Tighten two nuts ⑩ to each other, as shown in second graphic.

IMPORTANT

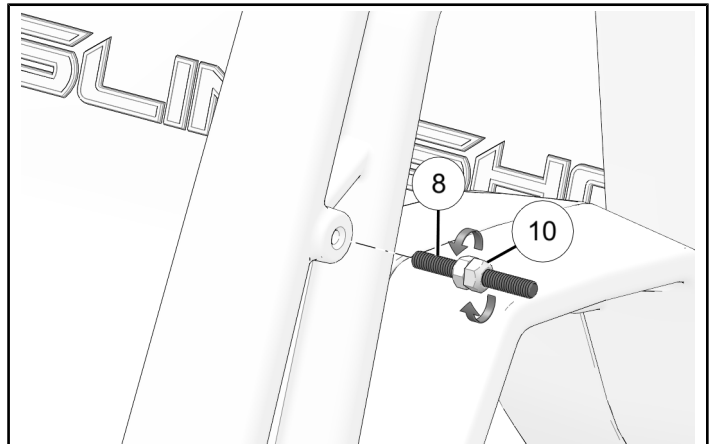
Remove outer nut after torqued.

⚠ CAUTION

Take care to not damage threads while torquing studs.

TORQUE

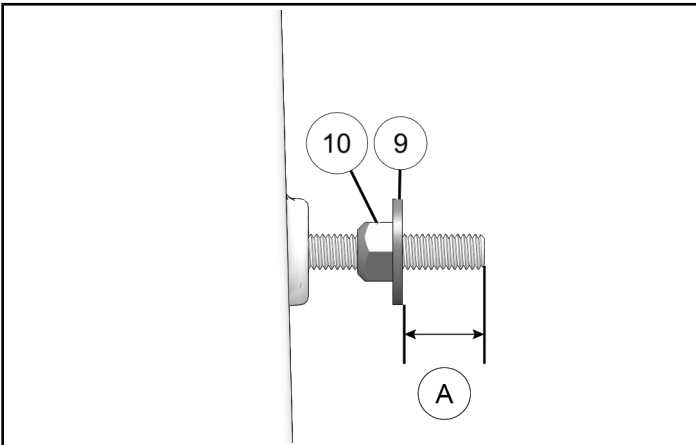
Studs ⑧:
72 in-lbs (8 N·m)



2. Install nut ⑩ and washer ⑨ to each stud. Thread on approximately 5/8 in (15 mm).

MEASUREMENT

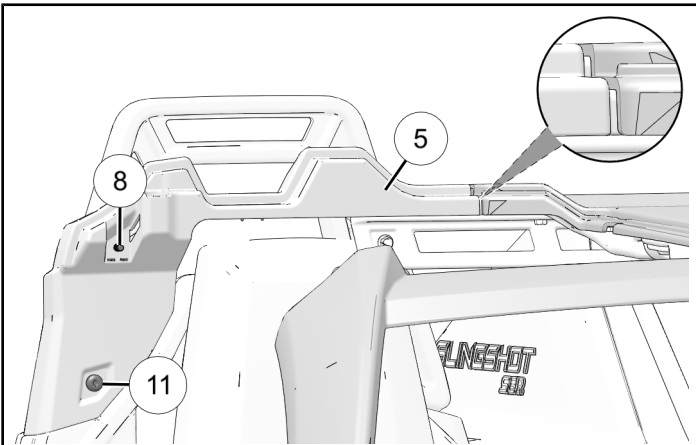
Measurement ①:
5/8 in (15 mm)



3. Insert passenger side inner fin ⑤ into sunshade T-top assembly and align fin over stud ⑧.

TIP

Loosely install screw ⑪ to bottom hole of passenger side inner fin ⑤ to help with alignment.



DOOR ALIGNMENT

NOTE

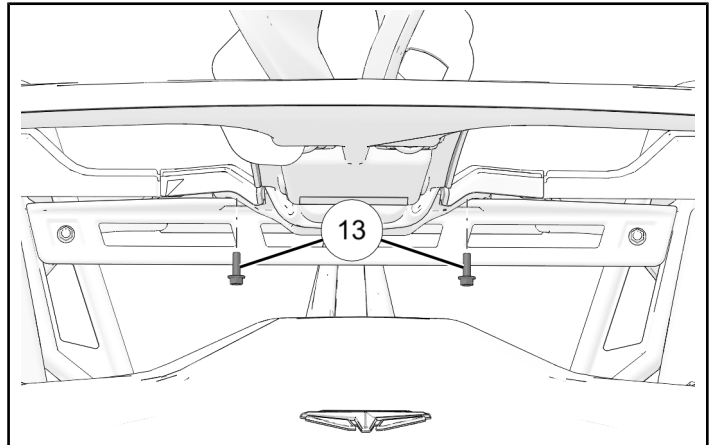
Passenger door shown; driver door similar.

1. After driver and passenger inner fins are loosely installed, check alignment of T-top brace, right to left of vehicle.

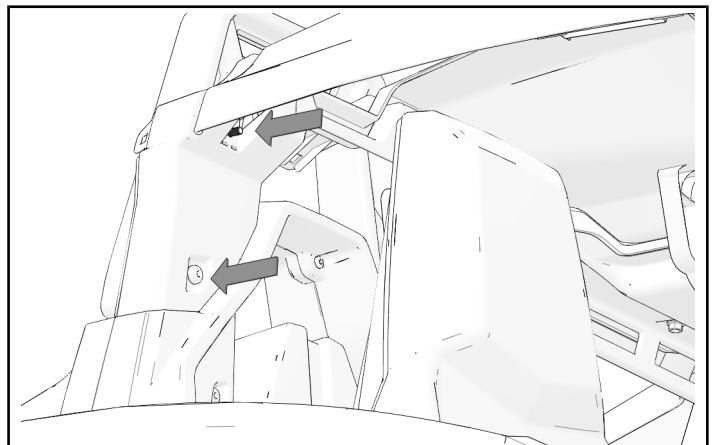
Once gaps are even on both sides of T-top in relation to inner fins, torque two bolts ⑬, attaching sunshade brace to T-top, to specification..

TORQUE

Brace Fasteners ⑬:
65 in-lbs (7 N·m)



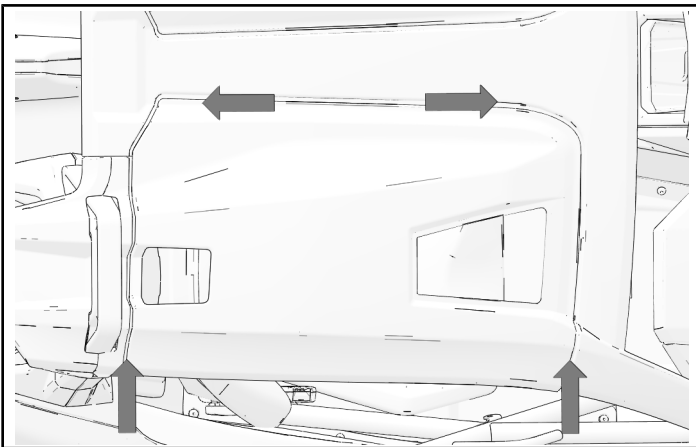
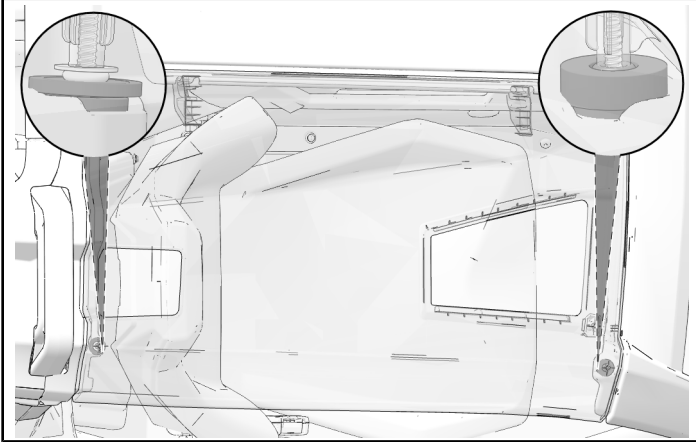
2. Close doors.
3. Firmly press and hold inner fin against roll hoop.



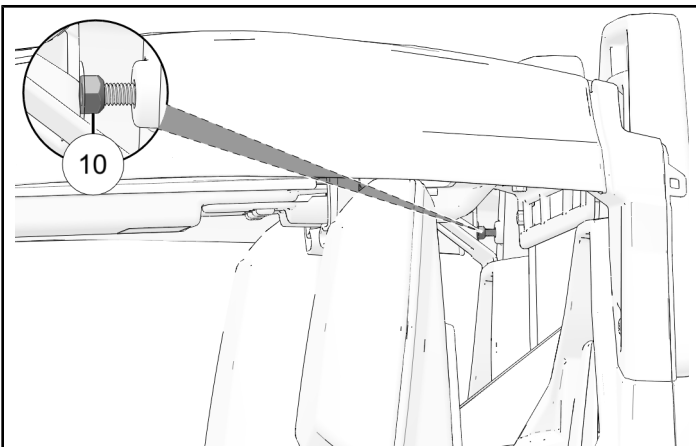
- Close door and ensure top and bottom magnets align. Front and rear gaps may not be even when magnets are aligned.

IMPORTANT

A parallel rear gap is not critical to door fitment. Ensure magnets are aligned. Properly aligned magnets are critical to Slingshade® functionality.



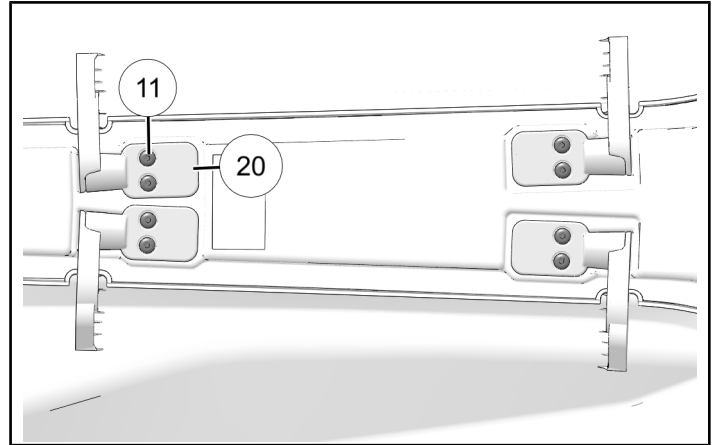
- Thread nut ⑩ to adjust gap spacing.



- Tighten door hinges ⑳ to T-top.

TORQUE

Door Hinge Fasteners ⑪:
65 in-lbs (7 N·m)

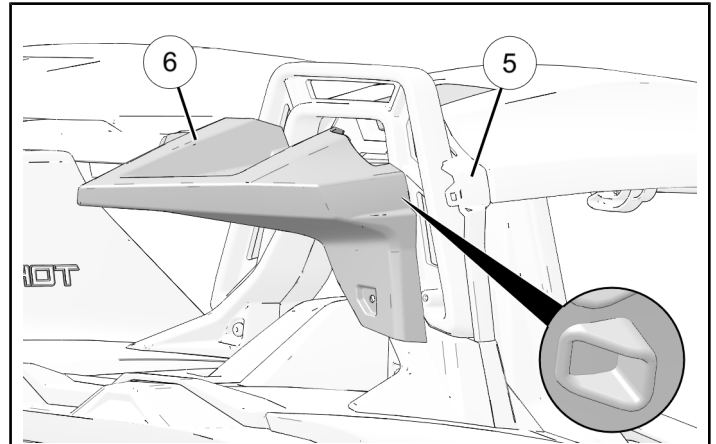


OUTER FIN INSTALLATION

NOTE

Passenger side fins shown; driver side fins similar.

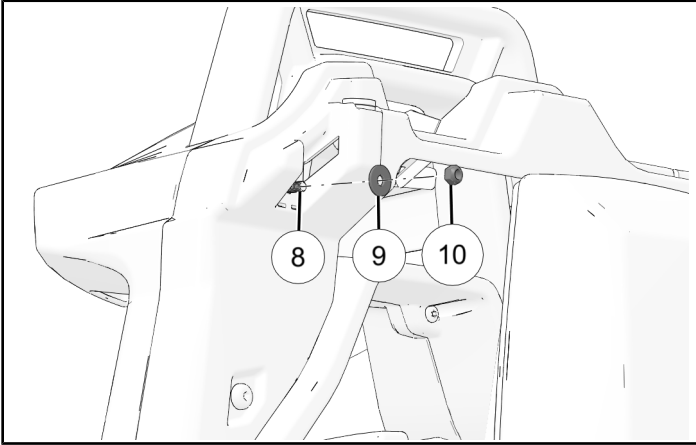
- Install passenger outer fin ⑥ to passenger inner fin ⑤ by aligning tabs and pressing together until tabs are seated.



2. Install washer ⑨ and nut ⑩ onto stud ⑧.

TORQUE

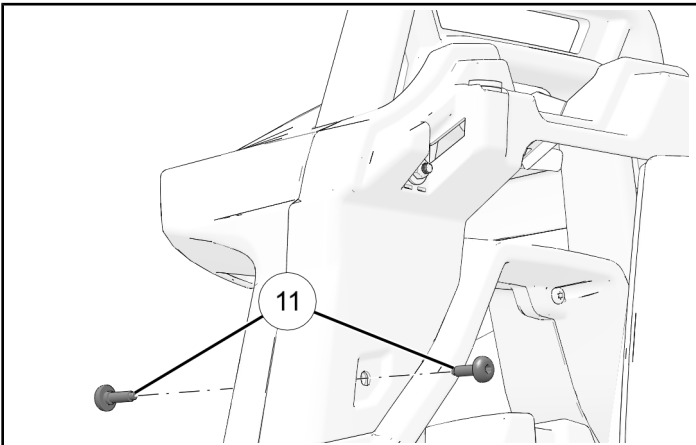
Nut ⑩:
65 in-lbs (7 N·m)



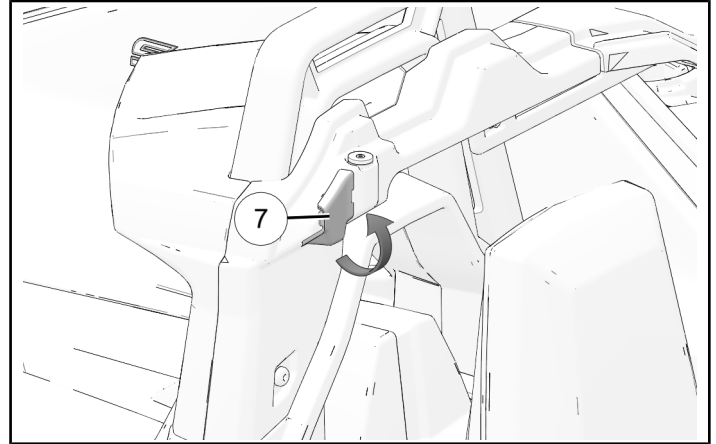
3. Secure passenger outer fin and passenger inner fin to roll hoop with two fin fasteners ⑪.

TORQUE

Fin Fasteners ⑪:
65 in-lbs (7 N·m)



4. Install passenger inner fin stud cover ⑦ into passenger inner fin by inserting bottom edge and rotating cover into place until it clicks.



MIRROR REINSTALLATION

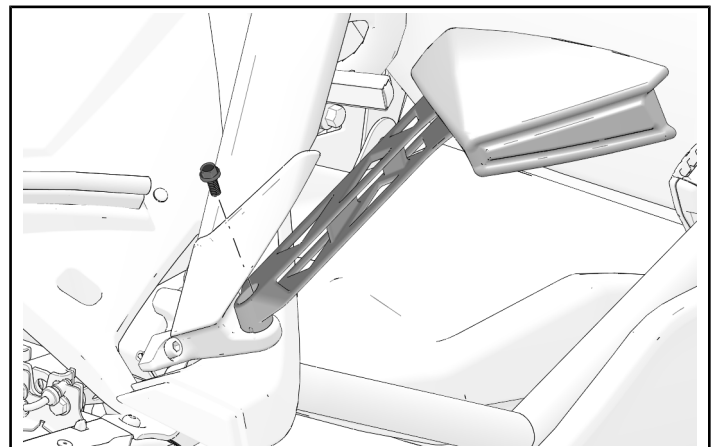
NOTE

Driver side mirror shown; passenger side mirror similar.

1. Reinstall driver side mirror to new mirror mount with retained mirror fasteners.

TORQUE

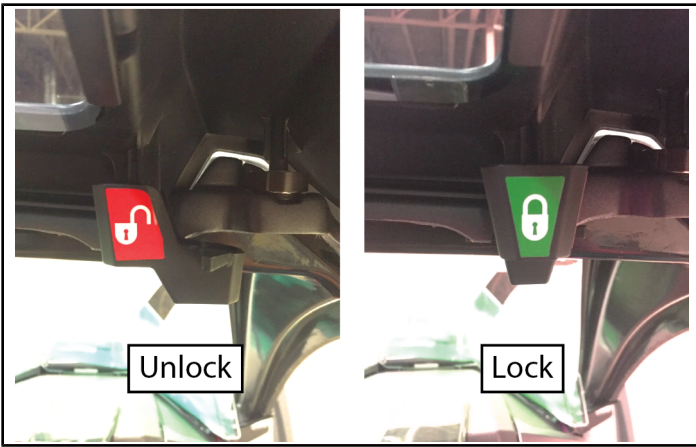
Mirror Fasteners:
27 ft-lbs (37 N·m)



LOCKING OPERATION

IMPORTANT

Be sure to latch Slingshade® doors to lock position before driving.



3. Close door and ensure top and bottom magnets align. Front and rear gaps may not be even when magnets are aligned.

IMPORTANT

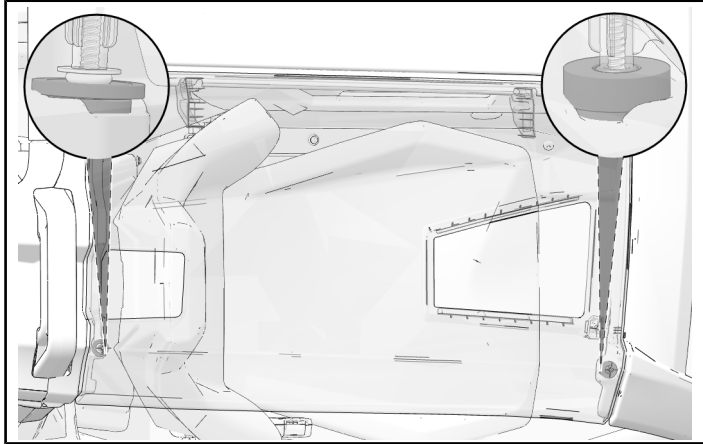
A parallel rear gap is not critical to door fitment. Ensure magnets are aligned. Properly aligned magnets are critical to Slingshade® functionality.

POST-INSTALLATION ADJUSTMENT

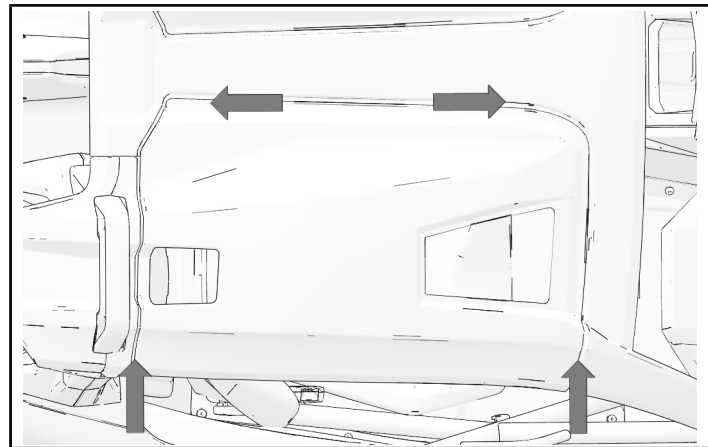
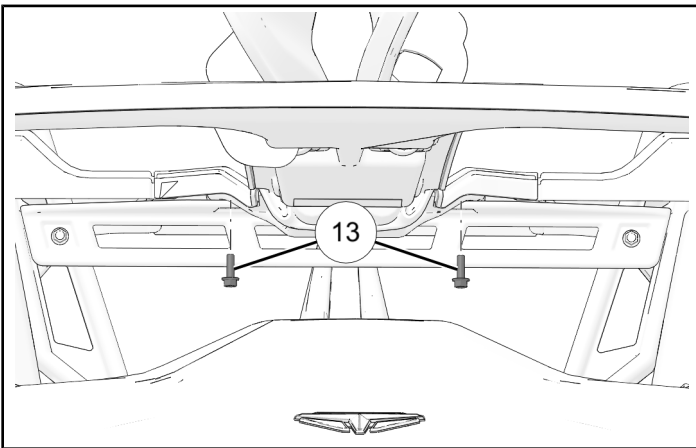
The Polaris Slingshade® installation is complex and may require further adjustment for proper fitment.

IMPORTANT

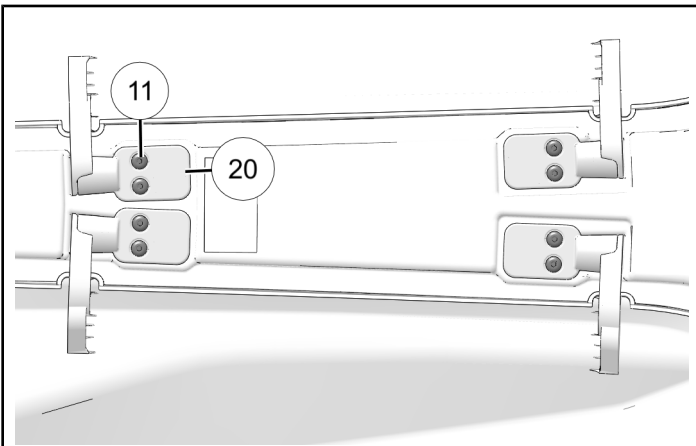
Take care to ensure other Slingshade® components are not damaged during adjustment procedures.



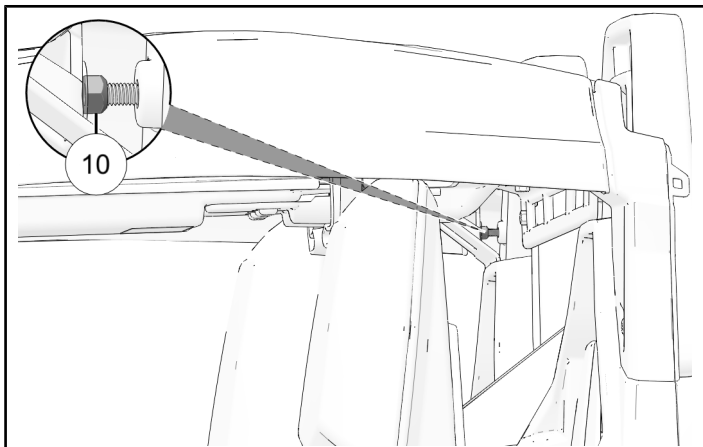
1. Loosen two brace fasteners ⑬.



2. Loosen door hinge fasteners ⑪. Do not completely uninstall door hinges ⑳.



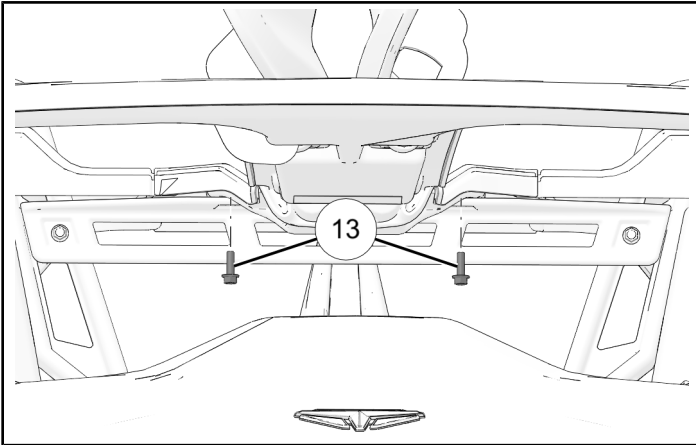
4. Thread nut ⑩ to adjust gap spacing.



5. Tighten brace fasteners ⑬ to specification.

TORQUE

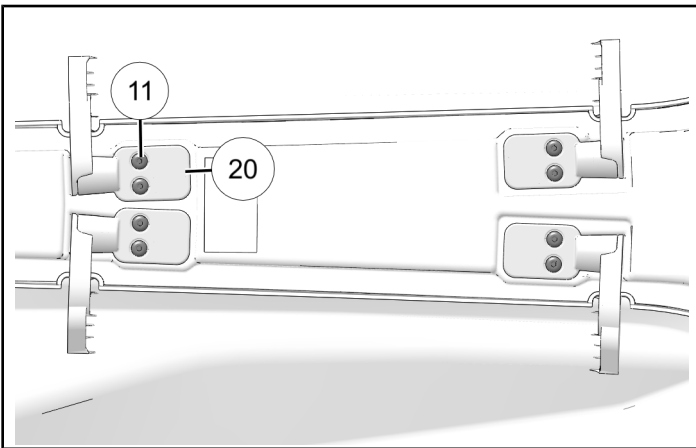
Brace Fasteners ⑬:
65 in-lbs (7 N·m)



6. Tighten door hinges ⑳ to T-top.

TORQUE

Door Hinge Fasteners ⑪:
65 in-lbs (7 N·m)



FEEDBACK FORM

A feedback form has been created for the installer to provide any comments, questions or concerns about the installation instructions. The form is viewable on mobile devices by scanning the QR code or by clicking [HERE](#) if viewing on a PC.

